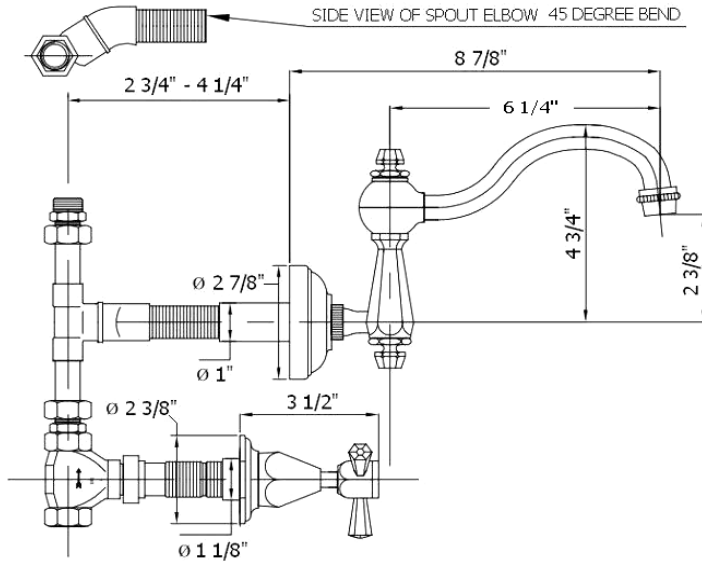


3608 - 'Monarque' Wall Mounted 3-Hole Set without Waste



Technical Information

- NSF / ANSI 61 & 372 / ASME A112.18.1 / CSA B125.1 / CEC AB1953 / WATERSENSE certified.
- Maximum flow rate is 1.2 GPM / 5.45 L / mn with new low flow restrictor.
- 7 3/4" C.T.C. spread.
- 6 1/4" C.T.C. swiveling spout.
- 1/2 turn ceramic Ecobross Flühs cartridges.
- Copper "T" Rough.
- Available finishes are French Weathered Brass (**47**), Polished Chrome (**48**), SoliBrass (**49**), Lacquered Matte Black Nickel (**50**), Old Gold (**52**), Old Silver (**53**), Polished Brass (**55**), Polished Nickel (**56**), Brushed Nickel (**57**), Satin Nickel (**60**), Antique Lacquered Copper (**67**), Antique Lacquered Brass (**68**), Weathered Brass (**70**), Lacquered Polished Black Nickel (**71**) and Lacquered Polished Copper (**80**).
- Please See Cleaning Instructions:
<http://herbeau.com/CleaningAll.pdf> For Finish Care and Maintenance Information.

Part #	Description
01	Monarque Top Knob
02	Finished Washer
03	Monarque Spout 7 1/4"
04	Aerator Washer
05	Aerator Filter
06	Aerator Cover
07	Spout O-Ring
08	Monarque Body
09	Rubber O-Ring
10	Wall Flange
11	Threaded Tube
12	Copper "T" Rough
13	1/2 Turn Ceramic Cartridge Housing
14	1/2" Brass Adapter
15	1/2 Turn Ceramic Cartridge - Ecobross
16	Brass Hexagon Tube
17	Brass Extension
16+17	Extension Kit For #16 + #17
11,16,17	7" Spout Thread W/6" Hexagon & Brass Extension
18	Wall Escutcheon
19	Flat Rubber Washer
20	Inner Trim Housing
21	Monarque Cartridge Dome
22	Handle Stem
23	Monarque Horizontal Handle Stem
24	Monarque Handle Center
25	Handle Screw
26	Monarque Insert Holder
27	Rubber O-Ring
28	Ceramic Insert
30	Male To Male Adapter
32	1/2" Washer
91	Monarque Insert Kit
92	Monarque Handle Assembly



U.P. Code
NSF-61/9-G
ASME A112.18.1/CSA B125.1



Certified by
NSF International

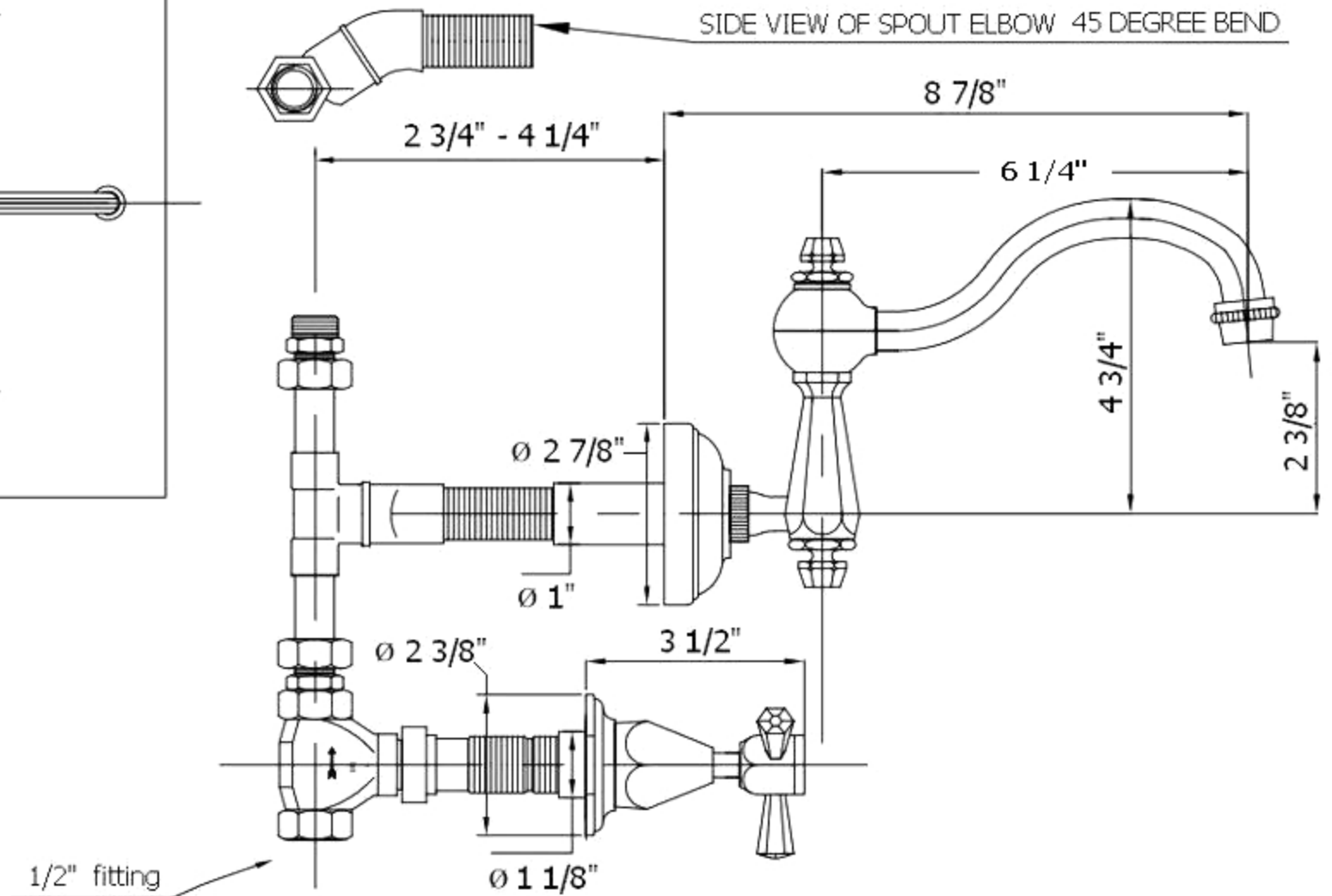
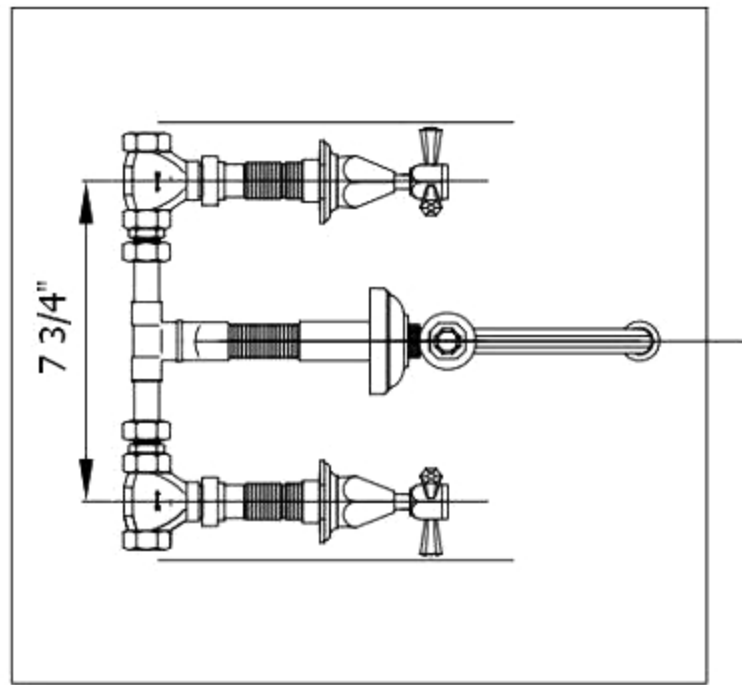
Please follow example when ordering parts for 'Monarque' Wall Mounted
3-Hole Set Without Waste

- To order part #01 – Monarque Top Knob
 - 950281xx
- Please substitute finish number needed in place of xx



Herbeau[®]
L'Art du Sanitaire depuis 1857

3608 - "Monarque" Wall Mounted 3-Hole Set without Waste

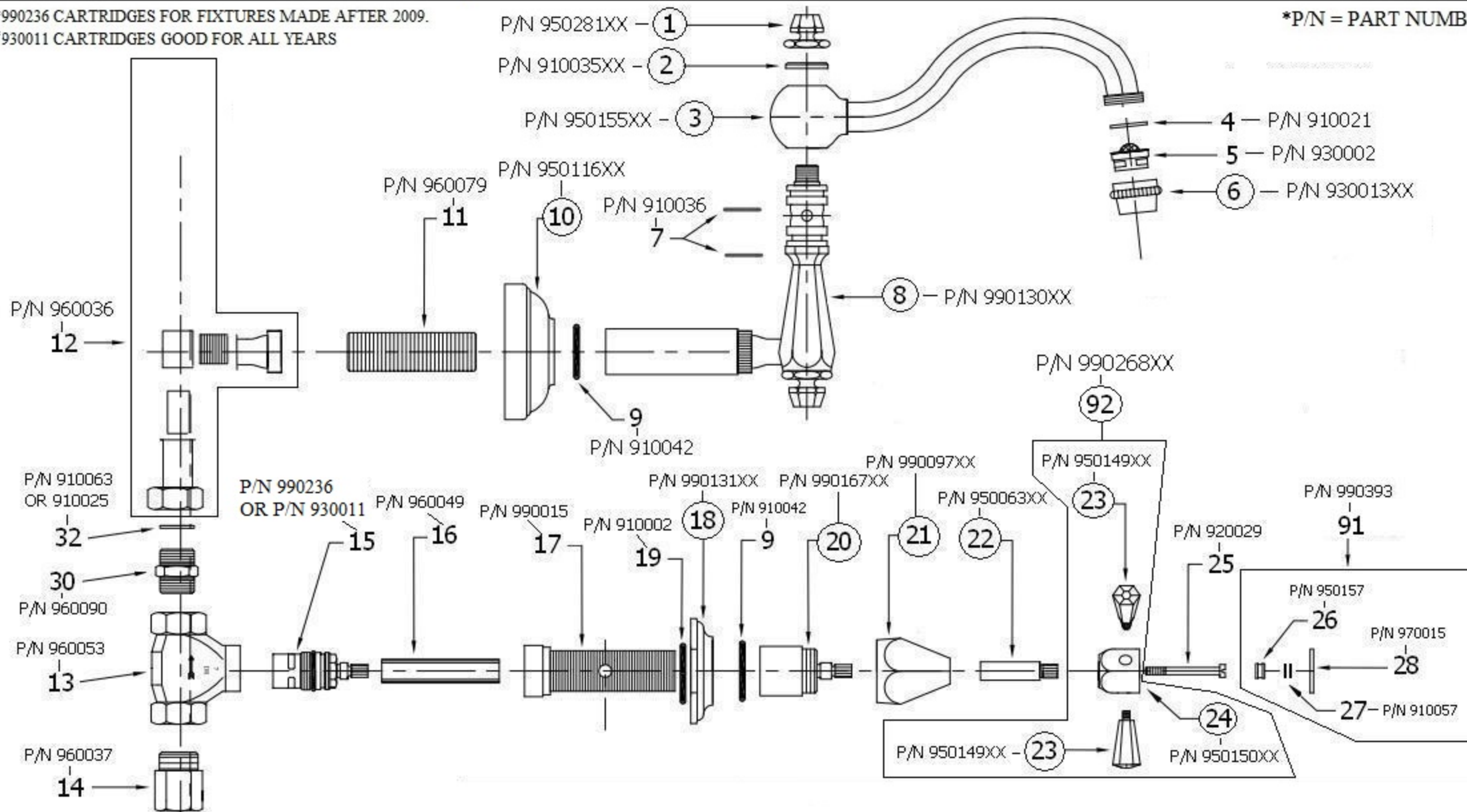


3608 - 'Monarque' Wall Mounted 3-Hole Set Without Waste

*990236 CARTRIDGES FOR FIXTURES MADE AFTER 2009.

*930011 CARTRIDGES GOOD FOR ALL YEARS

*P/N = PART NUMBER



○ = FINISHED PARTS
 XX = TWO DIGIT FINISH CODE