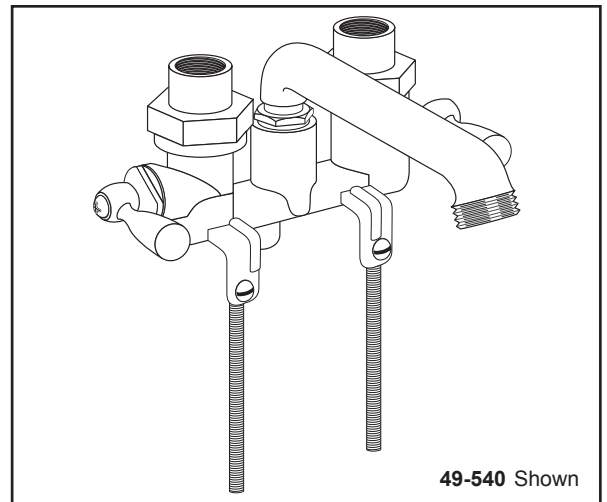


**Features:**

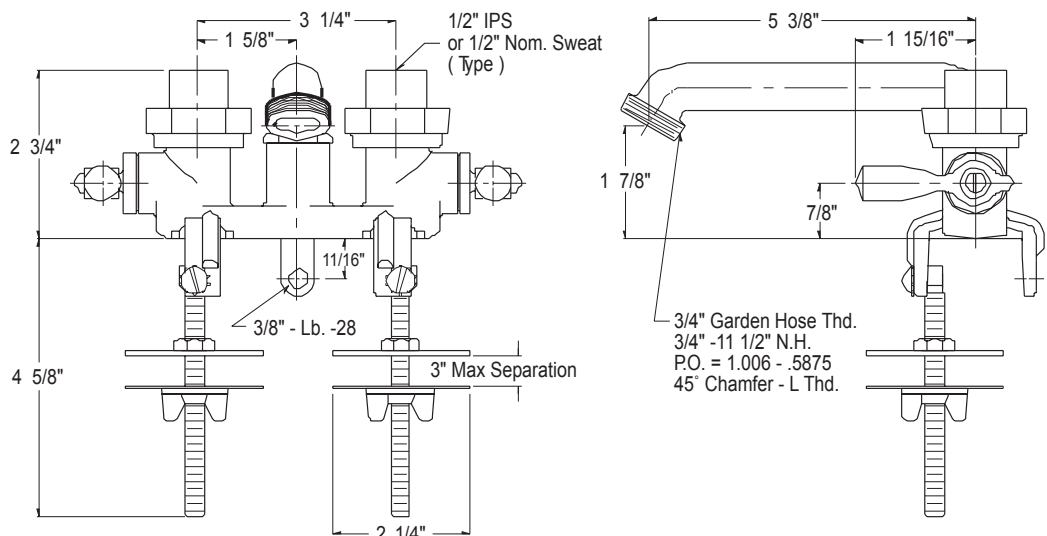
- Cast brass body – rough brass finish
- Attached metal handles
- Compression valves
- Working parts can be easily replaced
- Cast spout with hose connection
- 4" centers for sink edge or top mounting
- 1/2" IPS or 1/2" nominal copper sweat connections
- Threaded legs

**Technical Specifications:**

- ASME A112.18.1M
- CABO/ANSI A117.1 (ADA)
- CSA B125
- ANSI/NSF 61-1997b



49-540 Shown



**Catalog Numbers:**

- 49-540 IPS/Sweat, Rough Brass
- 49-556 Direct Sweat, No Threads On Spout (Detroit Code), Rough Brass

**Prefixes Available:**

None

**Suffixes Available**

None

Job Name	
Date	
Model Specified	
Quantity	
Customer	
Contractor	
Architect/engineer	

GERBER®

PROFESSIONAL PERFORMANCE

Gerber Toll Free Technical Support: 888-648-6466  
www.gerberonline.com

