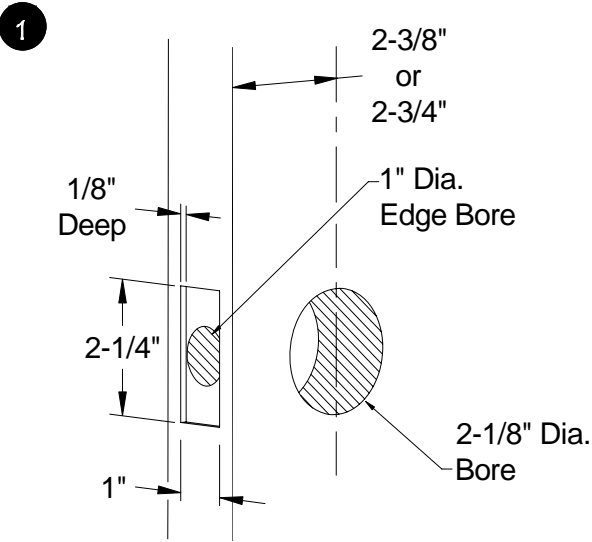
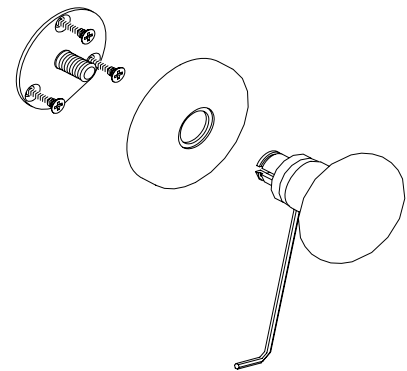


Passage/Private Door Prep.



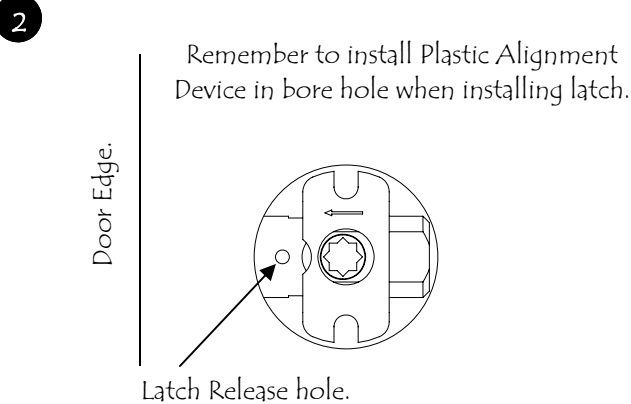
Dummy Set

Surface Mounted, No bore Hole

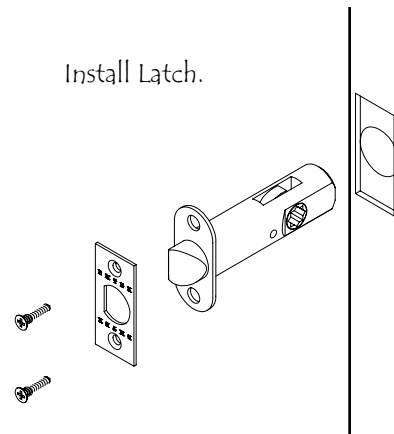


Fasten plate to door. Secure rosette and knob to Stud with Alien wrench provided.

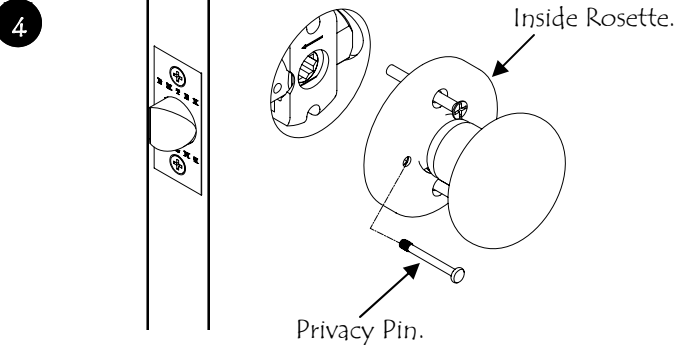
Passage/Privacy Set



3 Install Latch.

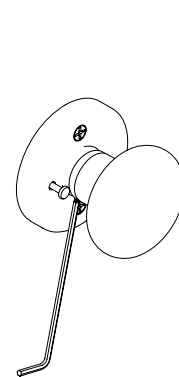


Inside Door Prep.



IMPORTANT: Make sure the RELEASE hole on the Outside Rosette is lined up on the same side as the PRIVACY PIN on the inside.

5



After lock has been installed, tighten set screw with Alien Wrench provided.