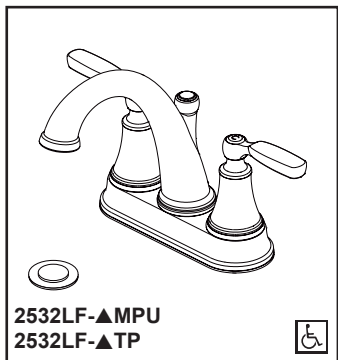




see what Delta can do™

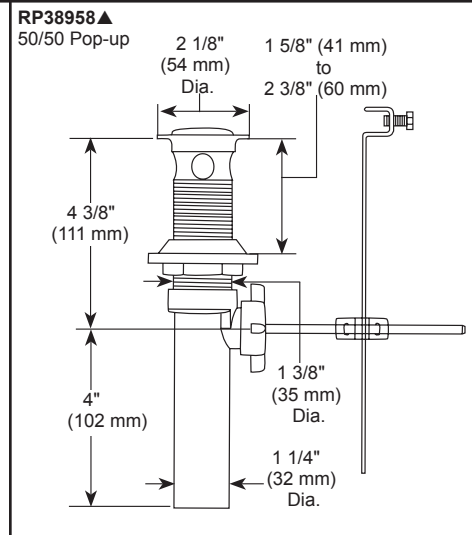
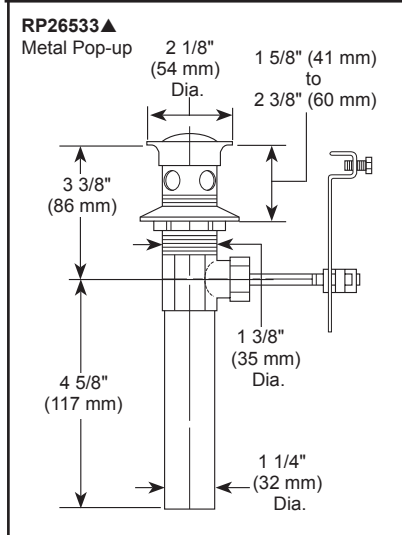
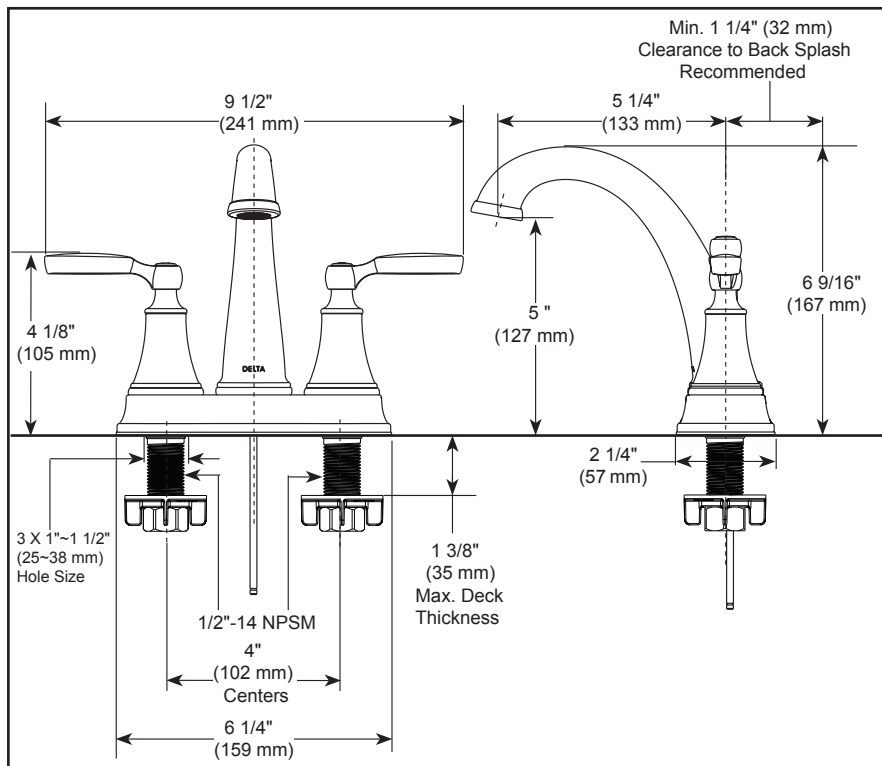
# BATHROOM FAUCET

- Woodhurst™ Collection
- Two Handle Deck Mount



Submitted Model No.: \_\_\_\_\_

Specific Features: \_\_\_\_\_



### STANDARD SPECIFICATIONS:

- Max flow rate 1.2 gpm @ 60 psi, 4.5 L/min @ 414 kPa
- Order aerator RP100071-1.0 for max flow rate 1.0 gpm @ 60 psi, 3.8 L/min @ 414 kPa
- Order aerator RP100072-0.5 for max flow rate 0.5 gpm @ 60 psi, 1.9 L/min @ 414 kPa
- Three hole mount
- Hot and cold handle stems are interchangeable
- 1/4 turn handle stops
- 1/2"-14 NPSM threaded male inlet shanks
- Control mechanism is a rotating cylinder type with stainless steel plate and 90° rotation, with replaceable non-metallic seats
- Models with suffix "TP" have 50/50 pop-up type fitting with plated flange and stopper
- Models with suffix "MPU" have metal drain with pop-up type fitting with plated flange and stopper
- Standard mounting deck thickness can be extended by 1 1/4" (32 mm) with RP76691

### WARRANTY

- Parts and Finish - Lifetime limited warranty; or for commercial purchasers, 10 years for multi-family residential (apartments and condominiums) and 5 years for all other commercial uses, in each case from the date of purchase.
- Electronic Parts and Batteries (if applicable) - 5 years from the date of purchase; or for commercial purchasers, 1 year from the date of purchase. No warranty is provided on batteries.



### COMPLIES WITH:

- ASME A112.18.1 / CSA B125.1
- ASME A112.18.2 / CSA B125.2
- Indicates compliance to ICC / ANSI A117.1
- EPA WaterSense®

▲ Designate proper finish suffix

Delta reserves the right (1) to make changes in specifications and materials, and (2) to change or discontinue models, both without notice or obligation. Dimensions are for reference only. See current full-line price book or [www.deltafaucet.com](http://www.deltafaucet.com) for finish options and product availability.