



### Suggested Uses

- Shower drain
- Patio drain / Atrium drain
- Other wetted area floor drains

### Features

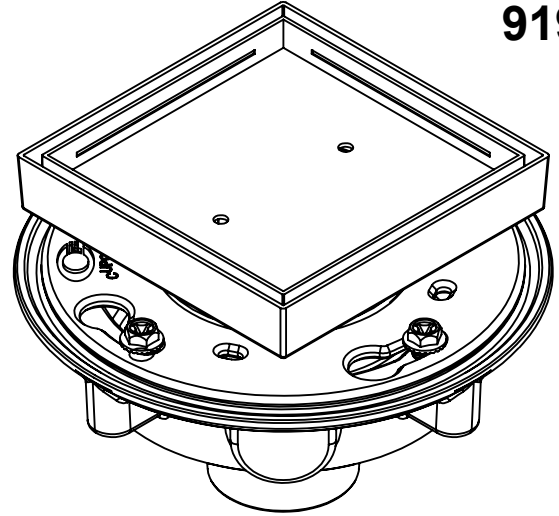
- Create "invisible drain" by allowing inlay of tile/stone to drain cover to match surrounding tile/stone
- Available in 5 finishes, including 4 PVD finishes
- All brass decorative frame with no visible screws (patent pending)
- Frame surface is foot friendly with no sharp edges
- Rigid frame construction - will not dish or bend
- Square frame design for easy floor design and installation
- Outlet flow rate 10 gpm (38Lpm) with 1/4" head of water
- Includes removal debris strainer with inner frame removal tool
- Rugged cast iron body and reversible membrane collar with acid resistant coating
- 2" No-Hub outlet connection

### Codes/Standards Applicable

Specified model meets or exceeds the following:

- ASME A112.18.2/CSA B125.2

## 9190



### CAST IRON 2" NO-HUB

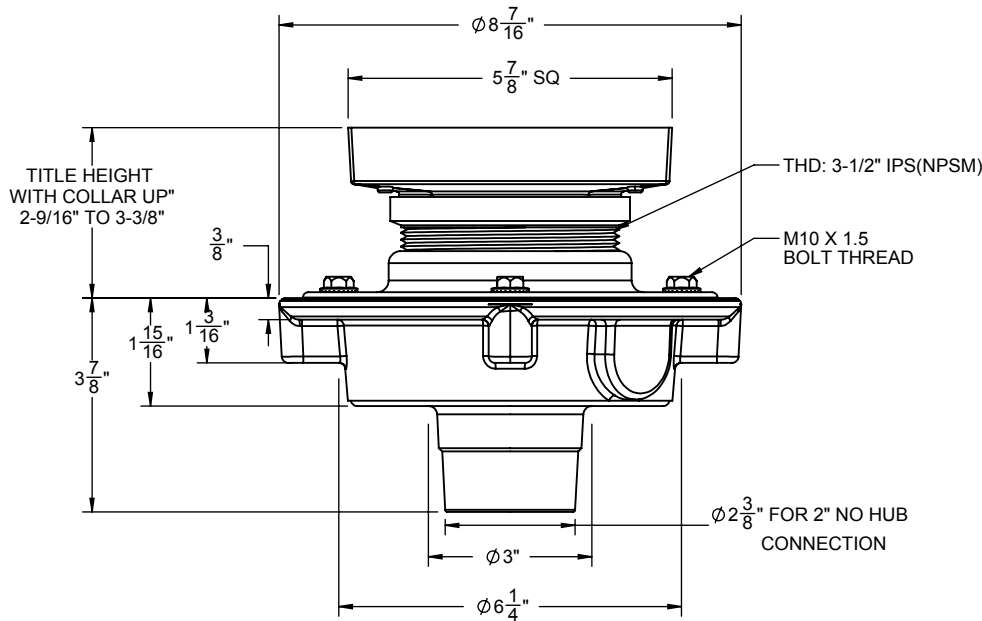


Figure 1. COLLAR IN UP POSITION

Figure 2. COLLAR IN DOWN POSITION

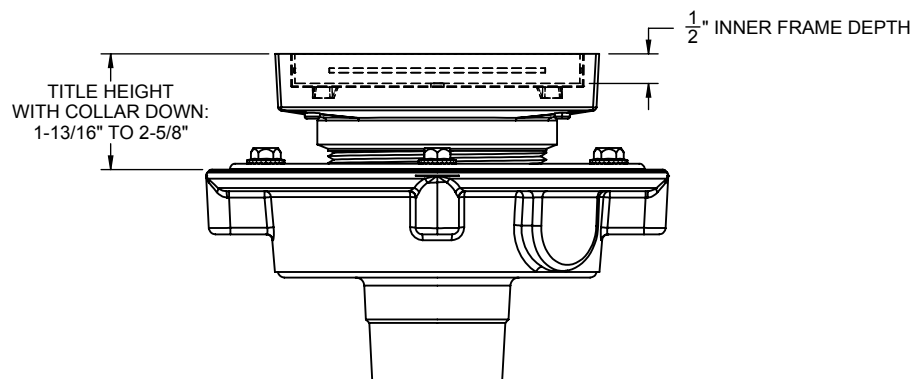


Figure 3A. INNER FRAME

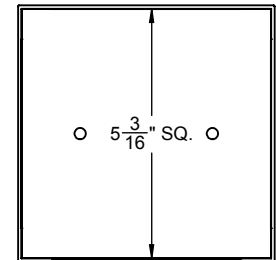


Figure 3B. OUTER FRAME SHOWN WITH DEBRIS STRAINER

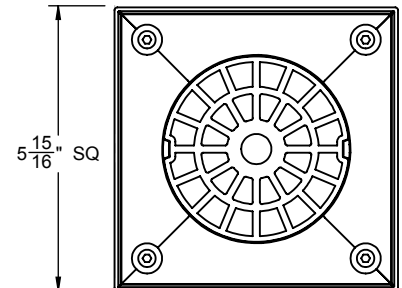


Figure 3C. OPEN AREA = 4.49 in<sup>2</sup>

