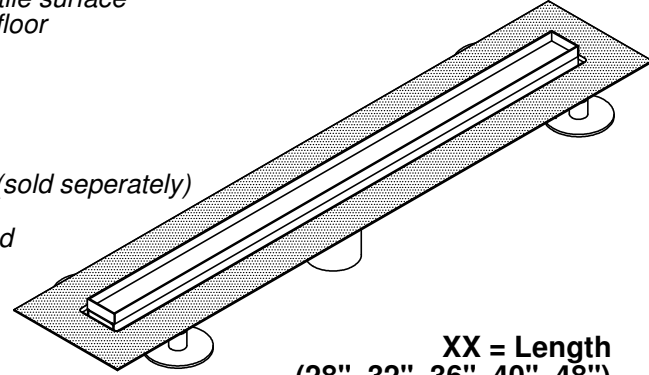




Features

- Available in natural & blackened stainless steel
- Tile recess trim cover plate to accept matching tile, stone, marble, etc.
- Stainless steel recess trim cover & drain rough with 2" Polypropylene outlet
- Removable recess trim cover with no visible screws
- Height adjustable leveling pads position tile in recess trim cover flush with tile surface
- Height adjustable support legs on drain rough to accomodate uneven sub-floor
- Drain rough design prevents standing water
- Outlet flow rate 18 gpm (68 Lpm) with 1/4" head of water
- Removable debris strainer
- Compatible with following waterproofing systems:
 - Liquid membrane with direct No-Hub connection
 - Hot mop or PVC/CPE when used with 9159, 9189-ABS or 9189-PVC (sold seperately)
- Sanded flange to secure liquid membrane waterproofing
- Tile trim template, tile straight edge framing holders and mudguard included

9182-2P-XX
(9187-XX & 9188-2P-XX)

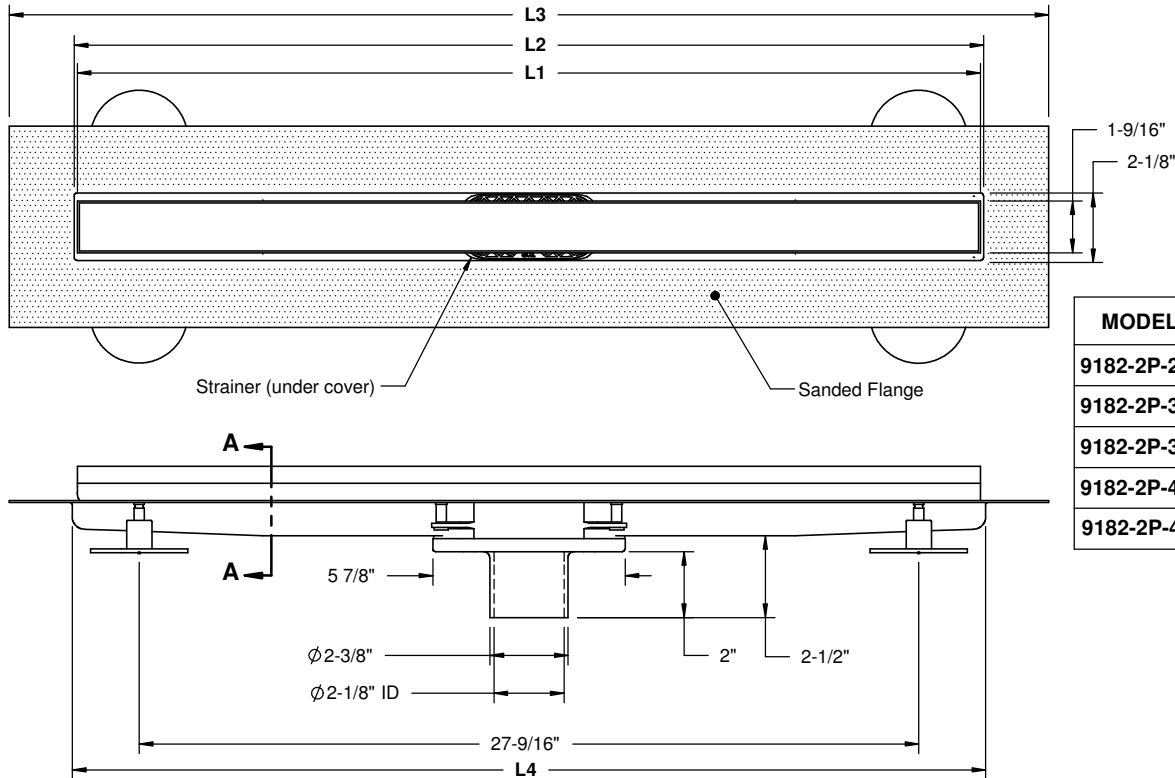


XX = Length
(28", 32", 36", 40", 48")

Codes/Standards Applicable

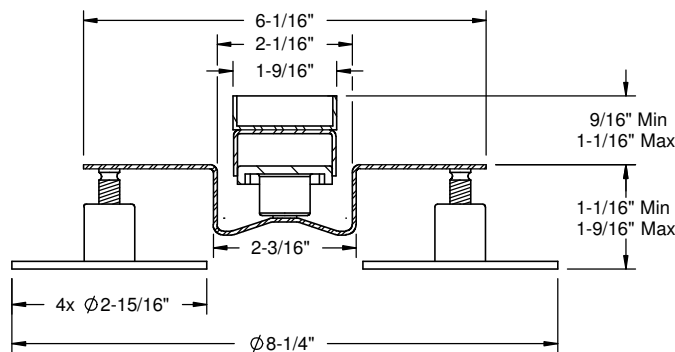
Specified model meets or exceeds the following:

- ASME A112.18.2-2005/CSA B125.2-05 & IAPMO IGC 195-2010

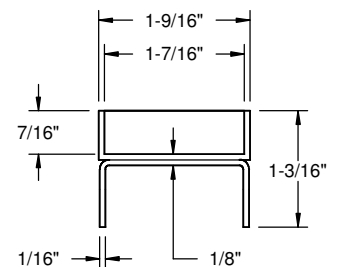


MODEL	L1	L2	L3	L4	MIN INSTALL LENGTH
9182-2P-28	27 ³ / ₈	27 ⁹ / ₁₆	31 ¹ / ₂	27 ¹¹ / ₁₆	32
9182-2P-32	31 ³ / ₁₆	31 ¹ / ₂	35 ⁷ / ₁₆	31 ⁵ / ₈	36
9182-2P-36	35 ¹ / ₄	35 ⁷ / ₁₆	39 ³ / ₈	35 ⁹ / ₁₆	40
9182-2P-40	39 ³ / ₁₆	39 ³ / ₈	43 ⁵ / ₁₆	39 ¹ / ₂	44
9182-2P-48	47 ¹ / ₁₆	47 ¹ / ₄	51 ³ / ₁₆	47 ³ / ₈	52

Section A-A Scale 2:1



All Dimensions Shown To Nearest 1/16"



Trim Cover Profile