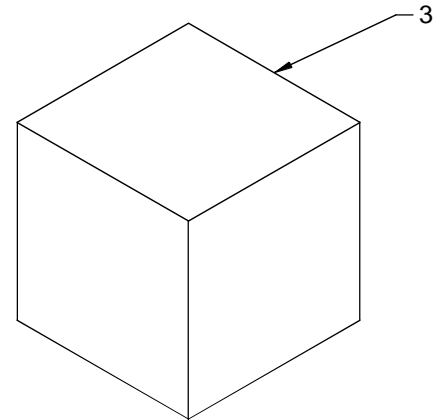
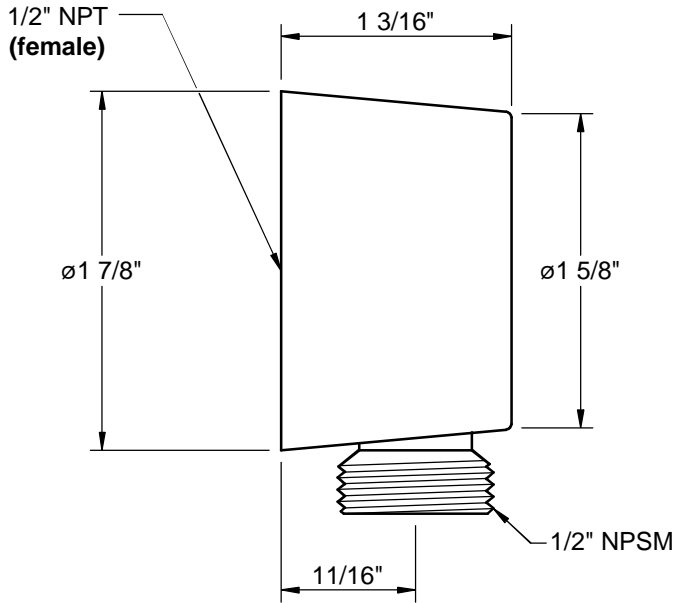
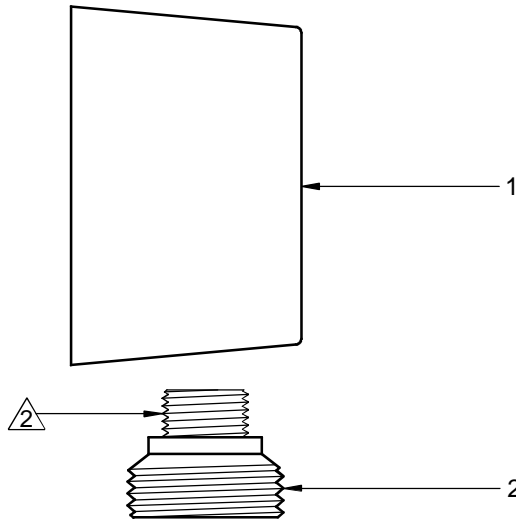


NOTES:

1. ZZ DENOTES FINISH

2. APPLY LOCTITE 680 OR EQUIVALENT



3	CARTON, KRAFT, 3" X 3" X 3"	1	33010802
2	OUTLET, WALL ELL	1	10083-ZZ
1	BODY, WALL ELL	1	10082-ZZ

Pos.	Description	Qty.	Part #
------	-------------	------	--------

California Faucets®
 info@calfaucets.com
 www.calfaucets.com

DESCRIPTION: ELBOW FOR HANDSHOWER

NEXT ASSEMBLY: 7-913267-ZZ

USED ON: SH-10, 9125, 9128, 9129

DRAWING NUMBER: SH-10

STARTING DATE: 06/14/05

REVISION DATE: 04/01/08

APPROVED BY: J. WOJTASZEK

SCALE: NONE

DRAWN BY: W. LINARES



Tel: 714-891-7797
Fax: 714-891-2478
Toll Free: 800-822-8855
www.calfaucets.com

Handshower Wall Bracket

SH-20



All California Faucets lever and blade handle products are American Disability Act (ADA) compliant.

California Faucets reserves the right to make modification and specification changes at any time. Please verify dimensions prior to installation. Visit www.calfaucets.com for most current technical data.

