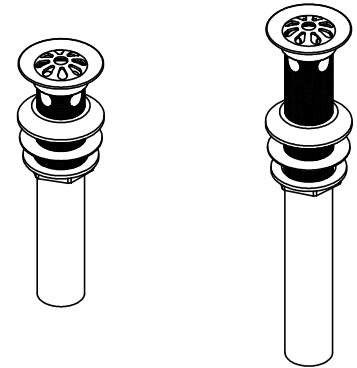




### Features

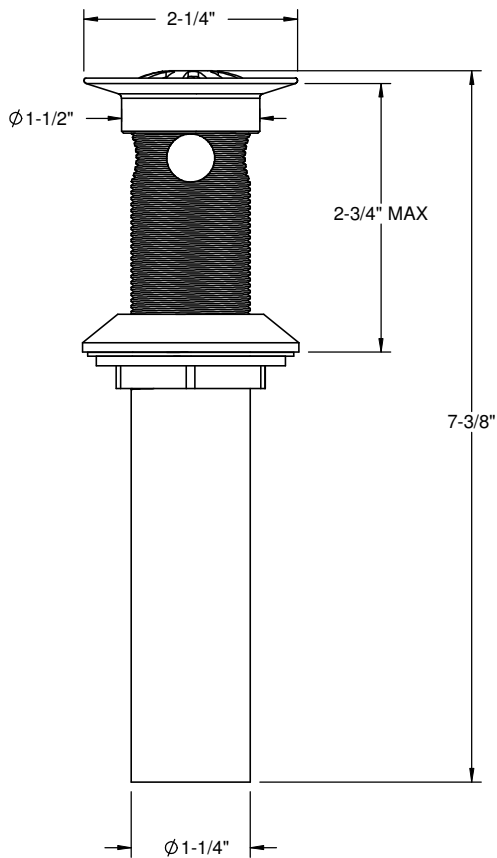
- Over 30 finishes including 11 PVD finishes
- Brass construction
- Strainer has large openings and domed shape for quicker draining
- For sinks with over-flow
- Fits 1-5/8" sink drain hole



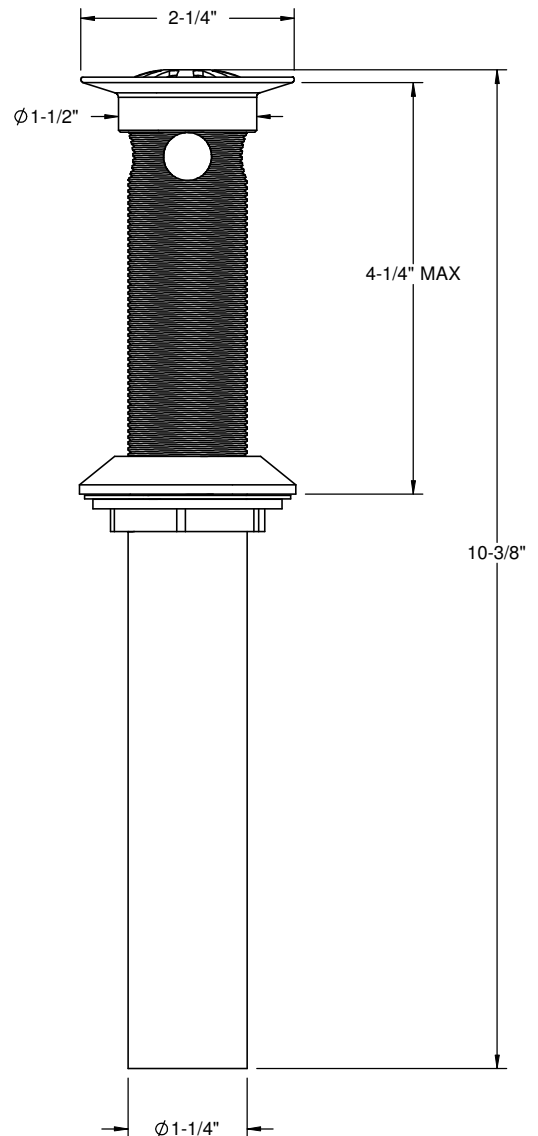
### Codes/Standards Applicable

- Specified model meets or exceeds the following:
- ASME A112.18.2-2005/CSA B125.2-05

**9055**



**9055-D**



Dimensions Shown to Nearest 1/16"