

# OPULENCE "Her" WALL-HUNG BASIN

Cat. No  
4-371, 378



Faucet not included

W: 22-7/8"  
D: 18-1/2"  
H: 4-3/4"

### Interior Dimensions:

|                                    |                   |
|------------------------------------|-------------------|
| Basin Interior:                    | 19-3/4" x 12-1/4" |
| Basin Depth:                       | 4"                |
| Water depth to overflow:           | 3-1/4"            |
| Back of basin to center of faucet: | 2-3/8"            |
| Back of basin to center of drain:  | 9"                |
| Depth to overflow:                 | 3-1/2"            |
| Mount holes cc:                    | 10-5/8"           |
| Faucet and spout holes:            | 1-3/8"            |

### Features:

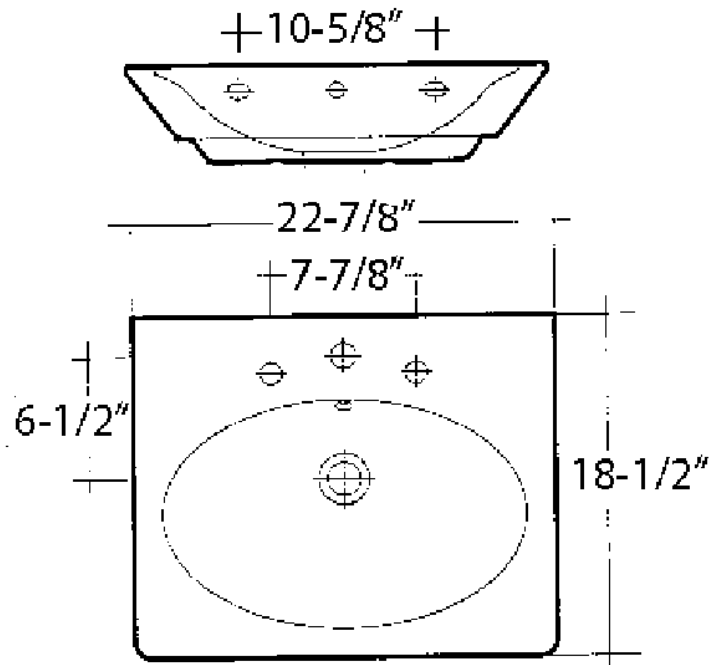
- ▶ Fine fire clay construction
- ▶ Transitional style
- ▶ Pre-drilled overflow hole
- ▶ Round basin
- ▶ Available for 1-hole faucet (4-371) or 8" widespread (4-378)
- ▶ Mounting hardware included

**Colors:**  
WH White



Mounting hardware

**Compliance Certification**  
Meets or exceeds the following specifications: ASME A112.19.2 2018 and CSA B45.1-18 for ceramic plumbing fixtures.



Dimensions of fixture are nominal and may vary within the range of tolerances established by ASME Standard A112.19.2.2018. Dimensions and specifications subject to change without notice.