

For Commercial Applications

Job Name _____
 Job Location _____
 Engineer _____
 Approval _____
 Tag _____

Contractor _____
 Approval _____
 Contractor's P.O. No. _____
 Representative _____

CO-260

Floor Cleanout with 8" Round Adjustable Top

Specification

Watts CO-260 epoxy coated cast iron floor cleanout with 8"(203) round adjustable gasketed heavy duty ductile iron top, removable gas tight gasketed brass cleanout plug, and no hub (standard) outlet

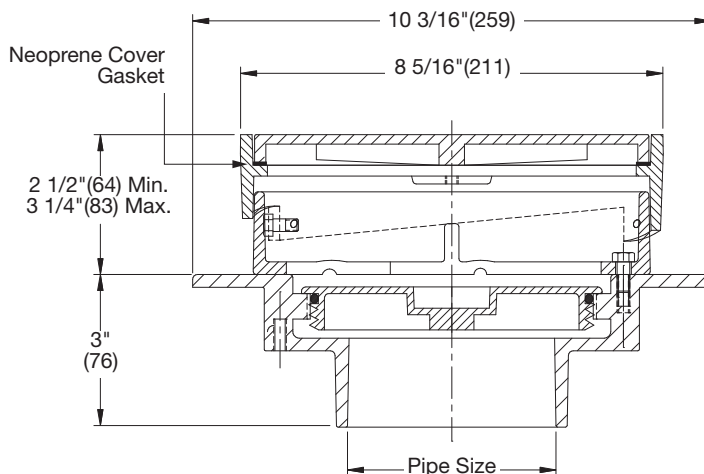


Pipe Sizing (Select One)		
Suffix	Description	
3	3"(76) Pipe Size	<input type="checkbox"/>
4	4"(102) Pipe Size	<input type="checkbox"/>
6	6"(152) Pipe Size	<input type="checkbox"/>
8	8"(203) Pipe Size	<input type="checkbox"/>

Outlet Type (Select One)		
Suffix	Description	
NH	No Hub (MJ)	<input type="checkbox"/>
P	Push On	<input type="checkbox"/>
X	Inside Caulk (6" Only)	<input type="checkbox"/>

Options (Select One or More)		
Suffix	Description	
-1	Nickel Bronze Top	<input type="checkbox"/>
-3	Round Stainless Steel Top	<input type="checkbox"/>
-6	Vandal Proof	<input type="checkbox"/>
-13	All Galvanized	<input type="checkbox"/>
-RC	Carpet Marker	<input type="checkbox"/>
-S-1	Square Nickel Bronze Top	<input type="checkbox"/>

Load Rating
XHD



NOTICE

The load classifications are in accordance with the American National Standards ASME A112.21.1M ASME Ratings are as follows:
 XHD - Safe Live Load 7500-10,000 lbs.(3375-4500 kg)
 The above categories are given as a guide only. Please consult factory.

NOTICE

The information contained herein is not intended to replace the full product installation and safety information available or the experience of a trained product installer. You are required to thoroughly read all installation instructions and product safety information before beginning the installation of this product.

Please refer to watts.com for BAA information on specific models.

Watts product specifications in U.S. customary units and metric are approximate and are provided for reference only. For precise measurements, please contact Watts Technical Service. Watts reserves the right to change or modify product design, construction, specifications, or materials without prior notice and without incurring any obligation to make such changes and modifications on Watts products previously or subsequently sold.



USA: T: (800) 338-2581 • F: (828) 248-3929 • Watts.com
Canada: T: (888) 208-8927 • F: (888) 479-2887 • Watts.ca
Latin America: T: (52) 55-4122-0138 • Watts.com