

Engineering Specification

Job Name _____

Contractor _____

Job Location _____

Approval _____

Engineer _____

Contractor's P.O. No. _____

Approval _____

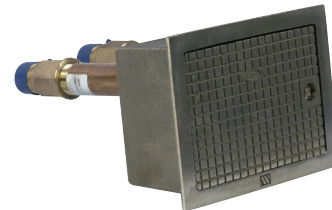
Representative _____

Tag _____

HY-700 Non-Freeze Duo-Temp Wall Hydrant w/Stainless Steel Box

Specification

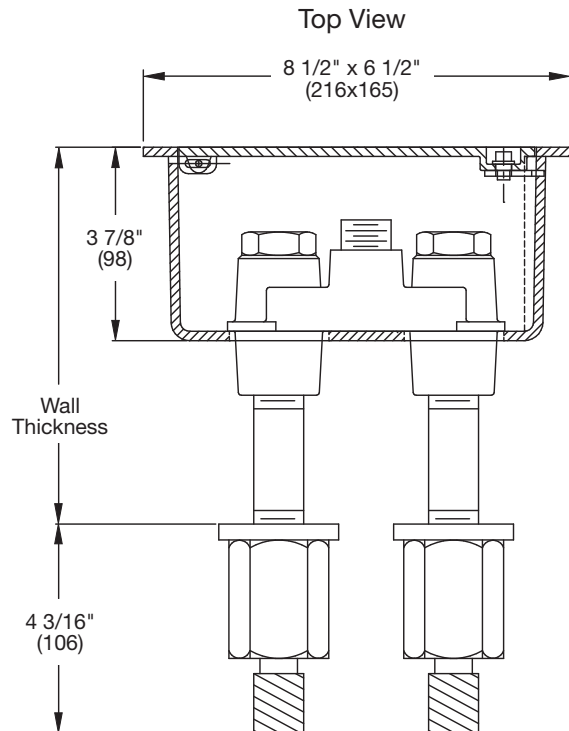
Watts HY-700 concealed non-freeze key operated dual-temp wall hydrant with stainless steel box and door, polished bronze hydrant face, 3/4"(19) hose connection, 3/4"(19) female x 1"(25) male pipe connections, all bronze head, seat casting and internal working parts, galvanized wall casing, and loose key.



Suffix	Wall Thickness Description	
-6	6"(152) Thick	<input type="checkbox"/>
-8	8"(203) Thick	<input type="checkbox"/>
-10	10"(254) Thick	<input type="checkbox"/>
-12	12"(305) Thick	<input type="checkbox"/>
-14	14"(356) Thick	<input type="checkbox"/>
-16	16"(406) Thick	<input type="checkbox"/>
-18	18"(457) Thick	<input type="checkbox"/>

Suffix	Options Description	
-K	Cylinder Lock	<input type="checkbox"/>
-VB	Vacuum Breaker	<input type="checkbox"/>
-CIA	Complete Internal Assembly (Repair Kit)	<input type="checkbox"/>

Recommended Wall Opening:
6 5/8" x 8 3/8" (168x213)



NOTICE

The information contained herein is not intended to replace the full product installation and safety information available or the experience of a trained product installer. You are required to thoroughly read all installation instructions and product safety information before beginning the installation of this product.

Watts product specifications in U.S. customary units and metric are approximate and are provided for reference only. For precise measurements, please contact Watts Technical Service. Watts reserves the right to change or modify product design, construction, specifications, or materials without prior notice and without incurring any obligation to make such changes and modifications on Watts products previously or subsequently sold.



USA: T: (800) 338-2581 • F: (828) 248-3929 • Watts.com

Canada: T: (888) 208-8927 • F: (905) 481-2316 • Watts.ca

Latin America: T: (52) 55-4122-0138 • Watts.com