



Sinks

VOV 815U

OVE COLLECTION

Design Wetstyle Design Lab

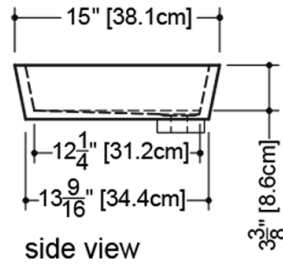
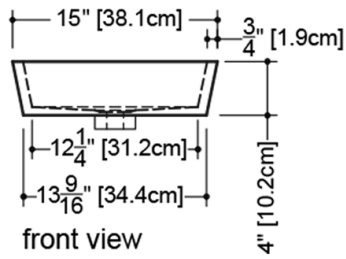
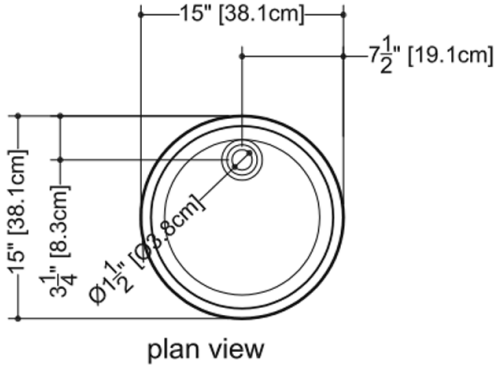


FEATURES

Handcrafted in Montreal, Canada
 Installation type: undermount
 Only available without overflow

TECHNICAL DETAILS

- **Width:** 15"
- **Length:** 15"
- **Height:** 4"
- **Weight:** 12 lbs / 5 kg



VOV 815U

WETSTYLE cannot be held responsible for any technical errors and reserves the right to make revisions without notice. Approximate measurement. The manufacturer accepts 1/4" (6.35mm) variance.

OPTIONS

Model

- VOV815U

Overflow

- No Overflow

WETMAR BiO Finish

- White Matte (#MA)
- White True High Gloss (#GA)

CODES/STANDARDS APPLICABLES

IAPMO-ANSI Z124.1
IAPMO-ANSI Z124.3
CSA B 45.0
CSA B 45.4
Mass Board Approved