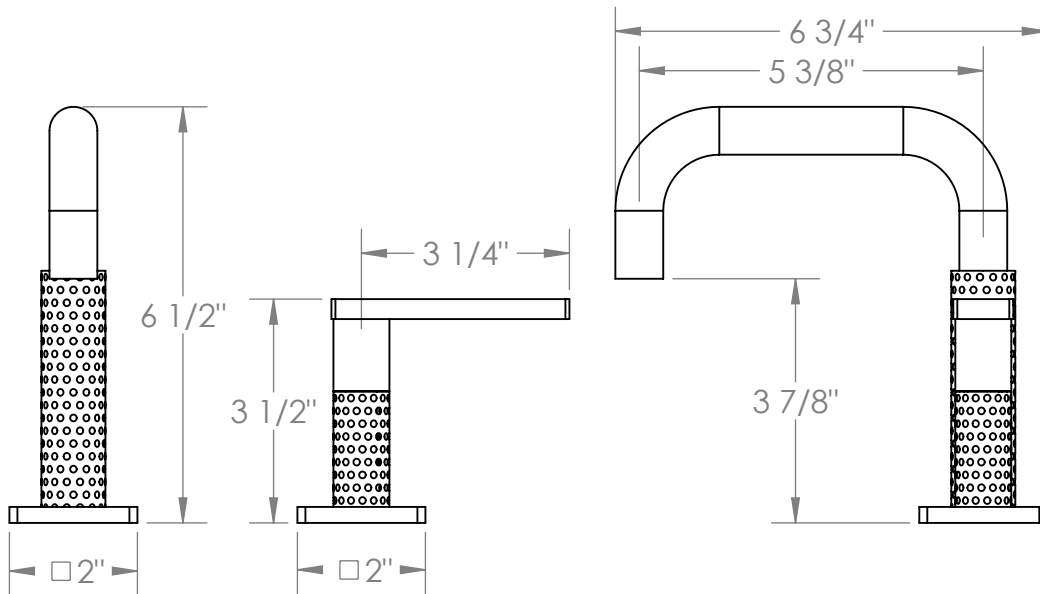


71-1.3-LLP5

Deck Mounted 2 Hole Lavatory Set

Flow Rate: 1.2 GPM

Includes MPU5 soft-touch drain



Meets the applicable requirements of ASME A112.18.1-2005/CSA B125.1-05, entitled "Plumbing Supply Fittings"