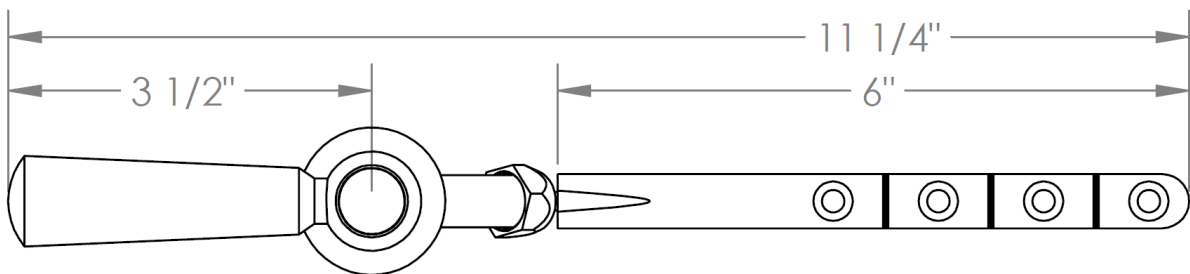
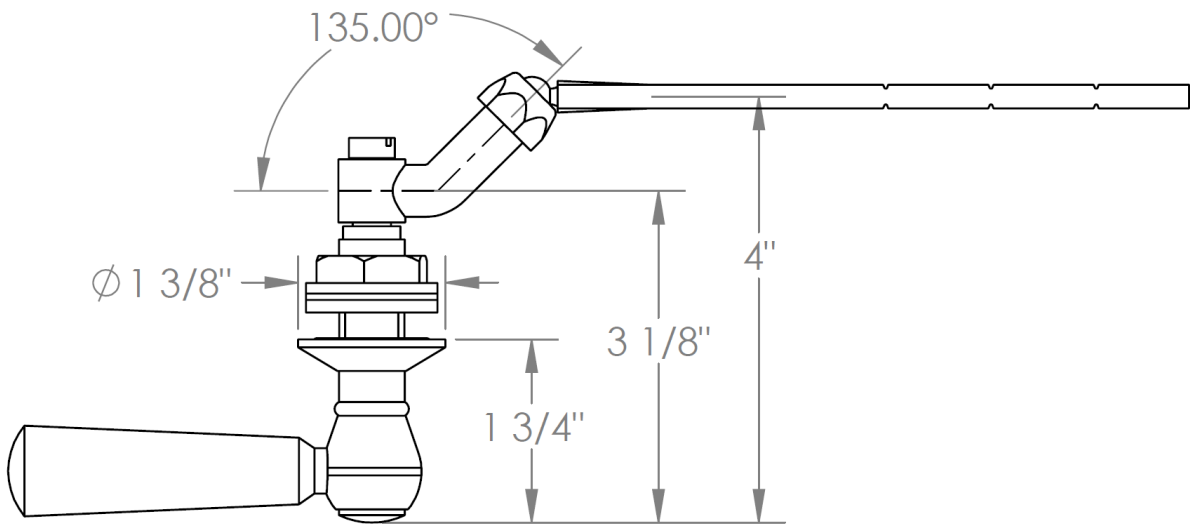
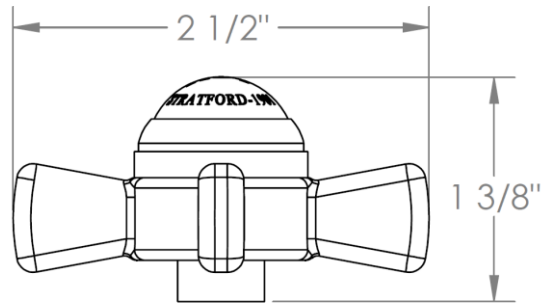


321-0.11-__
Tank Lever
Front, Side or Angle Mount

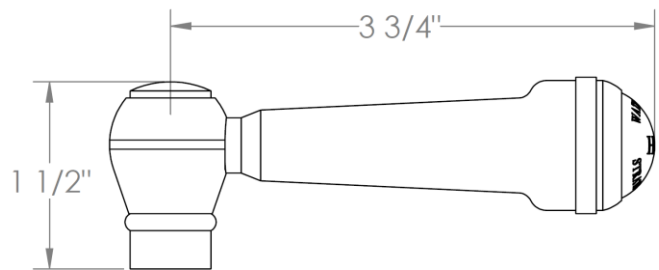


HANDLE TRIM OPTIONS

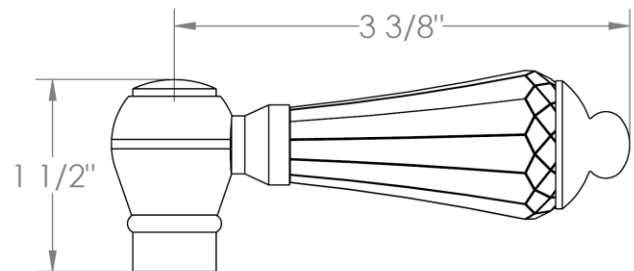
S1 - PRESTON



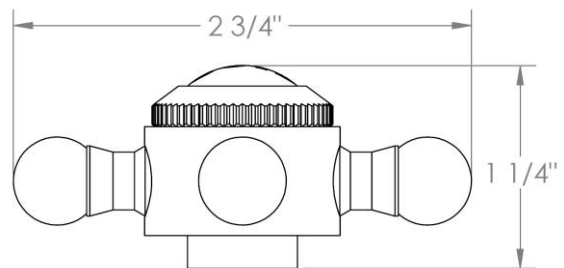
S2 - WALTHAM



SWA - DARIEN



V - WALES



S1A – NOTTINGHAM

