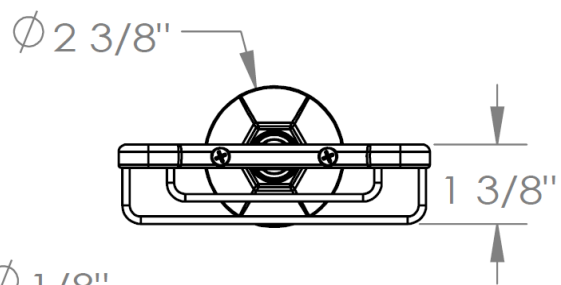
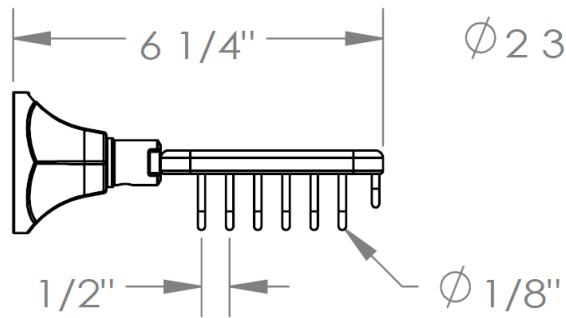
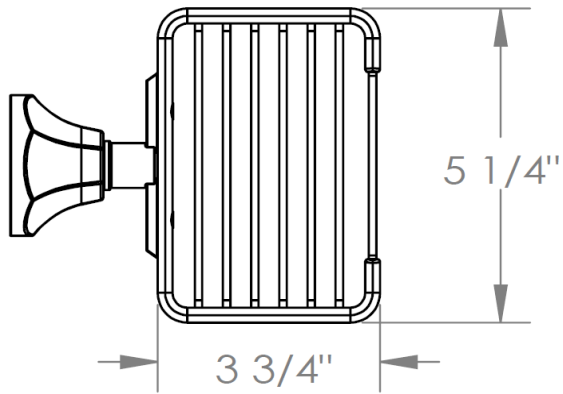
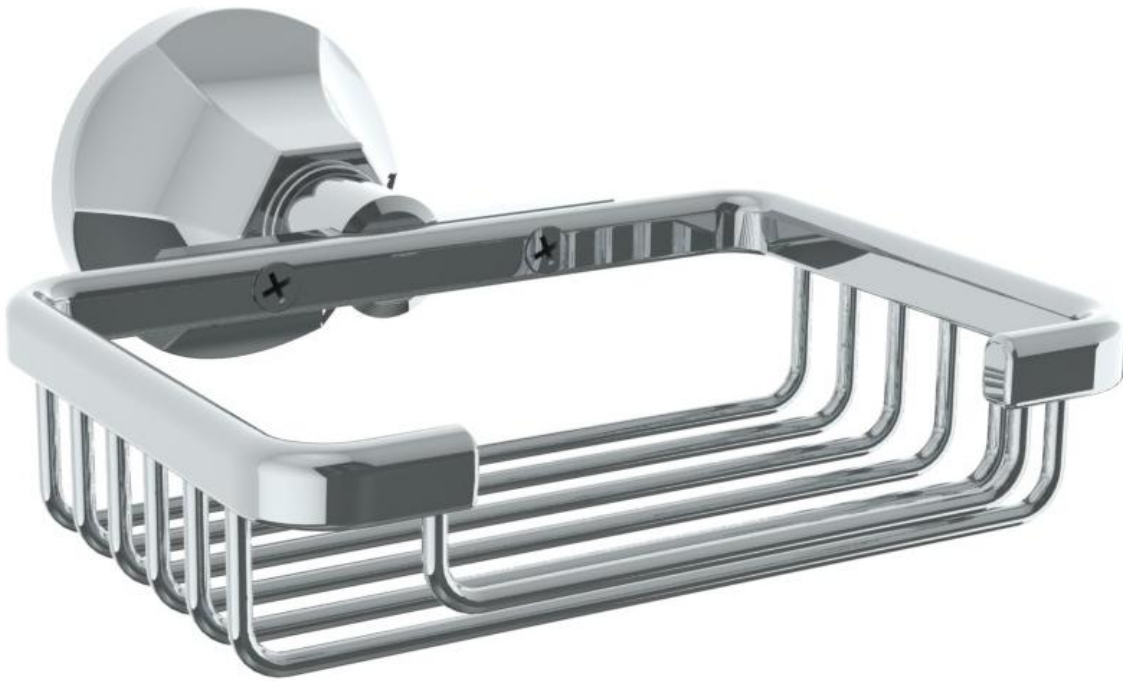


312-0.12A
5"X4" Wire Dish



WATERMARK DESIGNS 1/20/2015