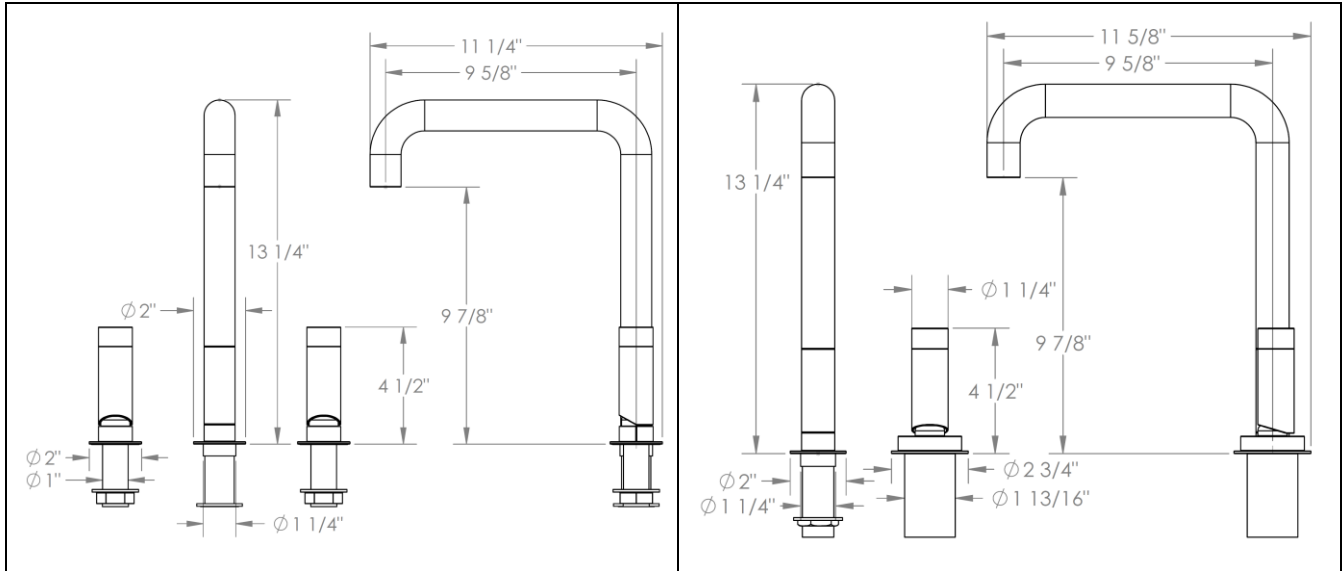
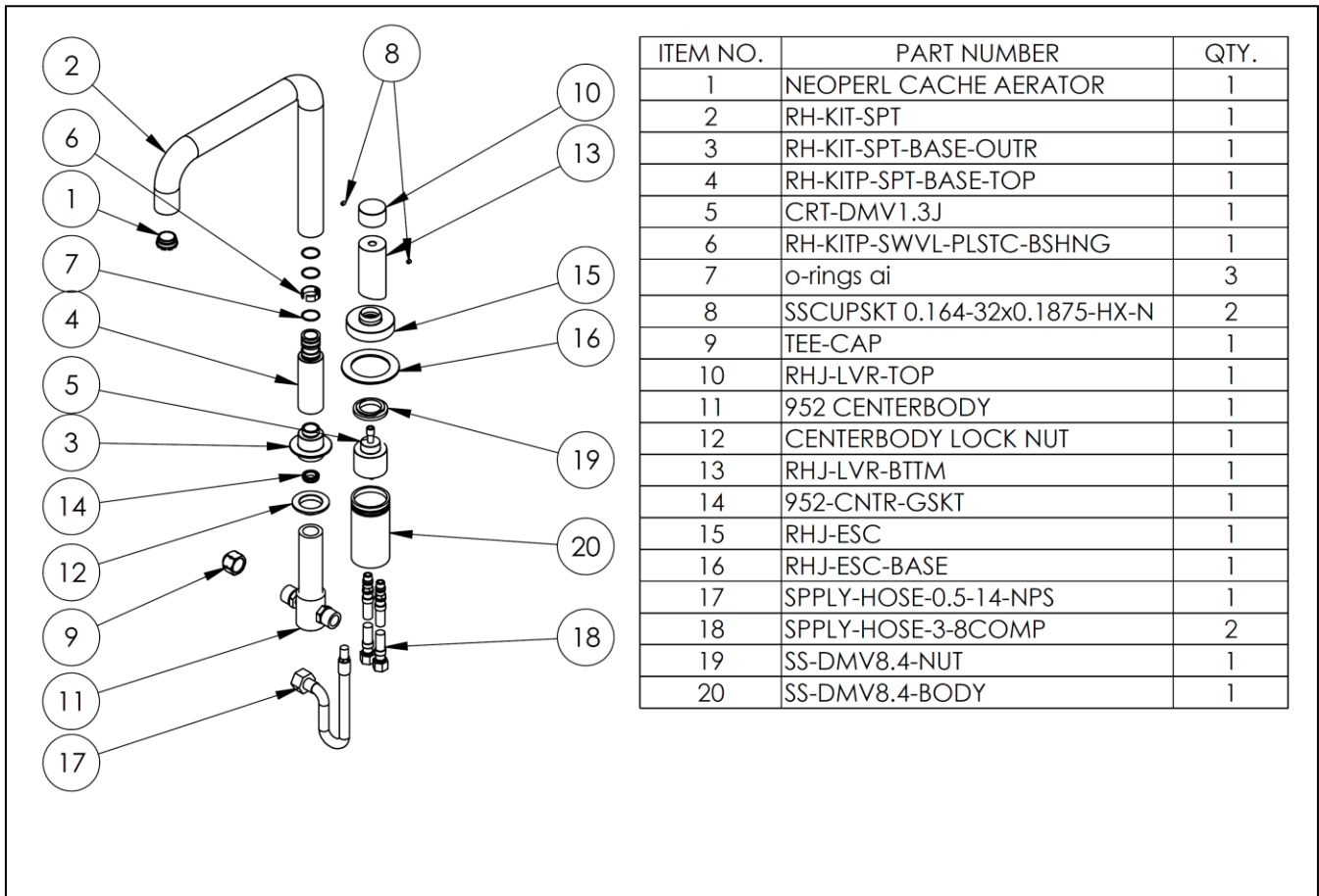


FEATURES

- RHL Trim: linear ceramic disc valve cartridges
- RHJ Trim: mixing ceramic disc valve cartridge
 - Note: This handle trim requires a $\varnothing 1\ 7/8''$ hole size in counter
- Flexible hose connections
- Flow rate 1.5 gpm (5.7 lpm) maximum flow rate
- Solid brass construction
- Warranty:
 - Limited lifetime warranty (residential use)
 - One year (commercial use)
- Shipping weight (lbs.) 10
- Shipping dimensions (in.): 29x1



ITEM NO.	PART NUMBER	QTY.
1	RH-KITP-SWVL-PLSTC-BSHNG	1
2	RH-KITP-SPT-BASE-TOP	1
3	o-rings ai	3
4	SUPPLY HOSE	2
5	SSCUPSKT 0.164-32x0.1875-HX-N	3
6	NEOPERL CACHE AERATOR	1
7	RH-KIT-SPT	1
8	RH-KIT-SPT-BASE-OUTR	1
9	CENTERBODY LOCK NUT	1
10	952-CNTR-GSKT	1
11	952 CENTERBODY	1
12	AS568 - 031	2
13	RHL-BASE-RING	2
14	RHL-HNDL-BASE	2
15	142-LOCK-NUT	2
16	SS-502 VALVE BODY	2
17	CRT-502L	2
18	RHL-LVR-BTDM	2
19	RHL-LVR-TOP	2
20	RHL-HNDL-ADAP	2



IMPORTANT INSTALLATION INFORMATION

- USE TEFLON TAPE OR PIPE SEALANT FOR THREADED CONNECTIONS
- DO NOT USE PLUMBER'S PUTTY ON ANY OF THE BRASS COMPONENTS
This will cause the finish to tarnish and void the warranty. A non-corrosive Alkoxy Silicone is recommended.
- DURING SWEATING OF LINES DO NOT OVERHEAT CASTING
Overheating may cause damage to internal mechanism
- COPPER ADAPTORS MAY BE REQUIRED TO COMPLETE YOUR INSTALLATION

For technical support, please call 718-257-2800