

Installation Instructions for Deck Mounted Pot Fillers



The 23-7.9-L8 and 29-7.9-TR24 will be used as an example in this manual.
Applicable for all 7.9 models.

IMPORTANT INFORMATION

Thank you for choosing Watermark! We appreciate your commitment to Watermark quality products. Before you install the product, please fully review these installation instructions.

Before installation, unpack the product and inspect it for any damage. Make sure all the parts are present. If not installing immediately, place the product back into its protective packaging.

The appearance of the product may be different than what is shown in this installation manual, but the installation procedure will be the same.

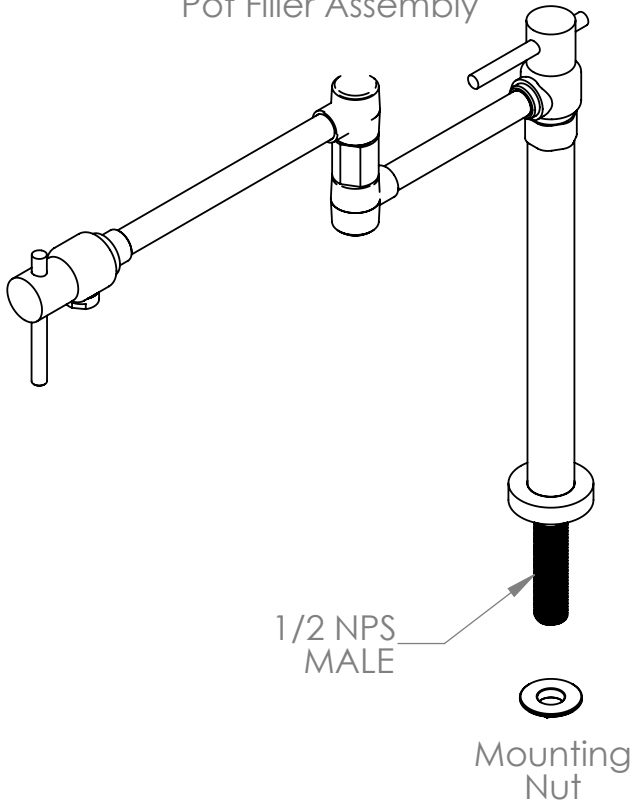
Installation considerations:

- Professional installation by a licensed plumber is strongly recommended.
- Product should be installed according to local codes and regulations.
- When installing:
 - Use Teflon tape or pipe sealant for threaded connections.
 - DO NOT use plumber's putty on any brass components. This may cause the finish to tarnish and void the warranty. Alkoxy silicone is recommended instead.
 - Flush the lines before and after installation (if applicable).
 - If the lines are sweated, do not overheat casting, which may damage mechanisms.
- Copper adaptors may be required to complete installation.

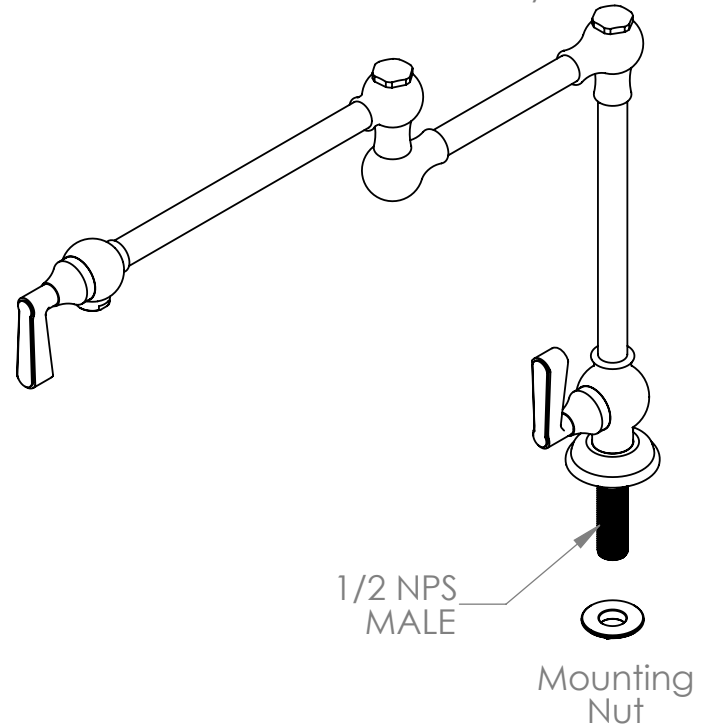
If you encounter any issues, please contact our technical support team at the number listed at the bottom of this page or email us at: technical@watermark-designs.com

PARTS BREAKDOWN

Contemporary
Pot Filler Assembly



Traditional
Pot Filler Assembly



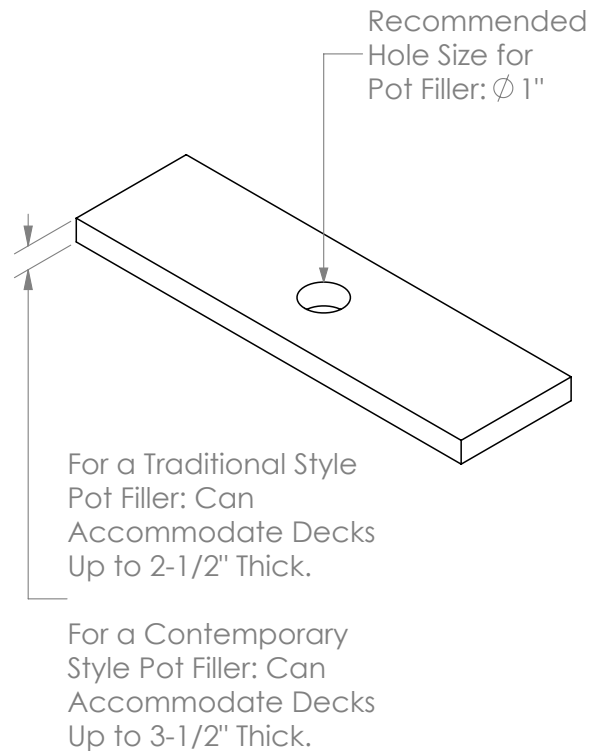
You will need:

- 1x Wrench

1. Prepare the mounting surface

Make a hole following the requirements shown on the drawing.

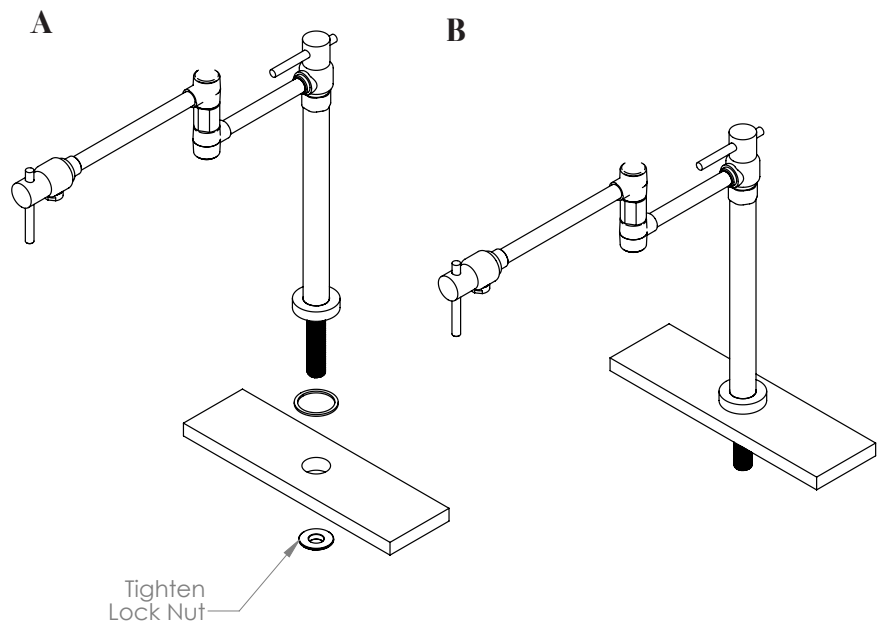
Please note that the maximum deck thickness for the traditional style and contemporary style pot fillers are different.



2. (Contemporary) Install the Pot Filler

[A] Insert the pot filler into the hole. Screw the lock nut onto the nipple underneath the mounting surface. Tighten the lock nuts to secure the pot filler to the deck.

[B] Connect the pot filler to the water supply (not included).



2. (Traditional) Install the Pot Filler

[A] Insert the pot filler into the hole. Screw the lock nut onto the nipple underneath the mounting surface. Tighten the lock nuts to secure the pot filler to the deck.

[B] Connect the pot filler to the water supply (not included).

