

INSTALLATION INSTRUCTIONS



For more information contact...

WOODFORD MANUFACTURING COMPANY

2121 Waynoka Road, Colorado Springs, Colorado 80915 • Phone: (800) 621-6032 • Fax: (800) 765-4115

To view our complete product line visit: www.woodfordmfg.com or email: sales@woodfordmfg.com

A Division of WCM Industries, Inc.

Rev 12/19 Form No. II19.103

Model 16 & 19 Anti-Burst Freezeless Wall Faucet



Model 16
No anti-siphon protection.

Model 19
Anti-siphon protected.

FIGURE 1

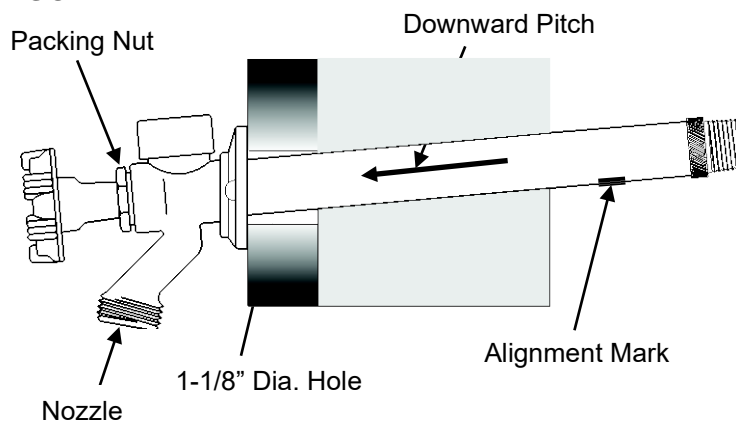
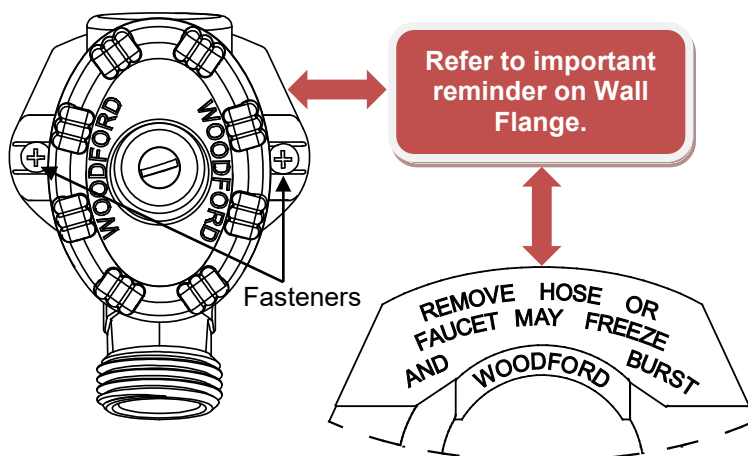


FIGURE 2



Wall faucets must be properly installed and operated to insure drainage. Improperly installed or operated wall faucets may freeze and burst in freezing weather.

INSTALLATION INSTRUCTIONS:

1. Before installation, flush supply line to remove any debris.
2. Drill a 1-1/8" diameter hole through the wall in the desired location and insert the faucet from the outside. **FIGURE 1**
3. Install with nozzle pointing down. **FIGURE 1**
4. From inside the building, the alignment mark on the tube can be used to correctly align the faucet when the mark is pointed down. **FIGURE 1**
5. The tube must have a slight downward pitch for proper drainage. **FIGURE 1**
6. For solder connection, open faucet to full open position before soldering. Excessive heat can damage valve seat rubber or stainless steel seat and factory solder joint.
7. Secure faucet to the wall using appropriate fasteners installed through the holes in the flange. Adjustable flange matches slope of siding. **FIGURE 2**

NOTE: The packing nut, located behind the handle, has been factory adjusted. If leakage should occur after installation or use, the packing nut can be tightened to stop the leak. **FIGURE 1**

This ASSE 1019 device is intended for irrigation use and outdoor watering and shall not be subjected to more than (12) hours of continuous water pressure.