



T&S BRASS AND BRONZE WORKS, INC.

2 Saddleback Cove / P.O. Box 1088
Travelers Rest, SC 29690

Model No.

EC-3130-STV5THG

Item No.

Travelers Rest, SC: 800-476-4103 • Simi Valley, CA: 800-423-0150 • Fax: 864-834-3518 • www.tsbrass.com



ADA Compliant



This Space for Architect/Engineer Approval

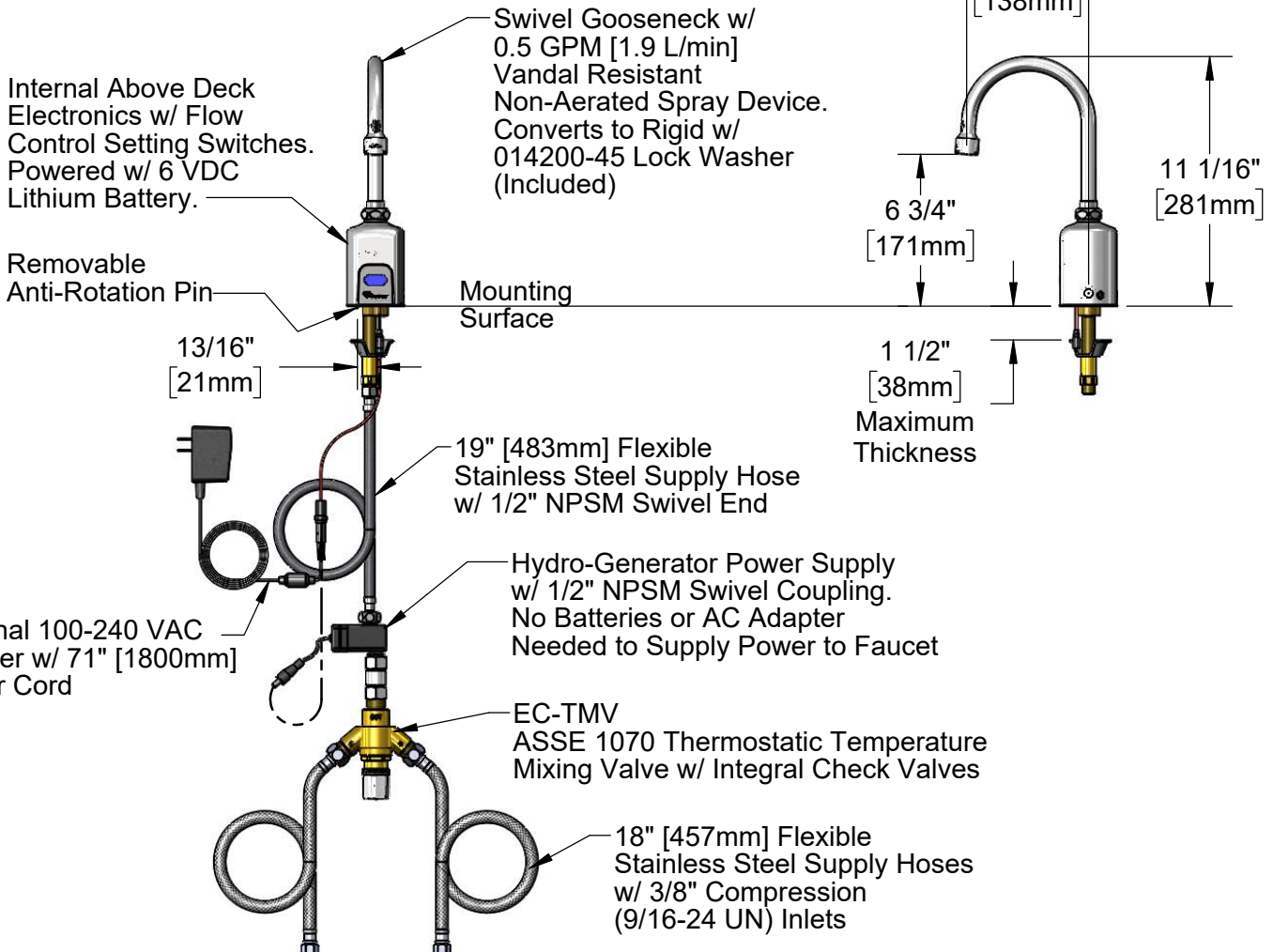
Job Name _____ Date _____

Model Specified _____ Quantity _____

Customer/Wholesaler _____

Contractor _____

Architect/Engineer _____



Rough-In Requirement:
 Ø 1 1/4" [32mm] Mounting Hole
 Ø 3/16" [5mm] Anti-Rotation Pin Hole (Optional)

Product Specifications:
 Chrome Plated Brass Above Deck Electronics Faucet, Single Hole Single Temperature Deck Mount, 5 7/16" Swivel Gooseneck w/ 0.5 GPM VR Non-Aerated Spray Device, Low Flow Hydro-Generator Powered, Thermostatic Temperature Control Mixing Valve, Stainless Steel Flexible Supply Hoses & 3/8" Compression Inlets

Product Compliance:
 ASME A112.18.1 / CSA B125.1
 NSF 61 - Section 9
 NSF 372 (Low Lead Content)
 ANSI A117.1 (ADA)
 UL 1951
 ASSE 1070 (TMV)



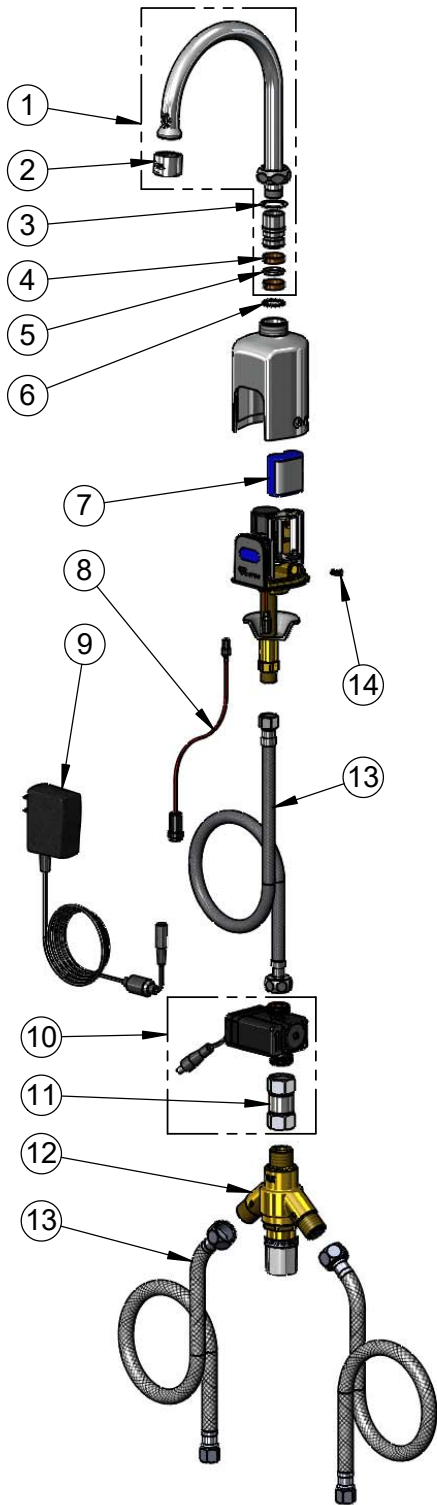
T&S BRASS AND BRONZE WORKS, INC.

2 Saddleback Cove / P.O. Box 1088
Travelers Rest, SC 29690


Model No.
EC-3130-STV5THG

Item No.

Travelers Rest, SC: 800-476-4103 • Simi Valley, CA: 800-423-0150 • Fax: 864-834-3518 • www.tsbrass.com



ITEM NO.	SALES NO.	DESCRIPTION
1	019283-40	Swivel Gooseneck w/ VR 0.5 GPM Non-Aerated Spray Device & Key
2	B-0199-06-N05	VR 0.5 GPM Non-Aerated Spray Device, 55/64-27 UN Female w/ Key
3	009538-45	Swivel Washer
4	011429-45	Swivel Sleeves (2)
5	001074-45	O-Ring
6	014200-45	Star Washer, Anti-Rotation
7	019087-45	6VDC Lithium Battery, CR-P2
8	019088-45	Auxiliary Power Connector Cable
9	5EF-0002	A/C Transformer
10	EC-HYDROGEN-LF	Low Flow Hydro-Generator
11	017506-45	1/2" NPSM Swivel Coupling
12	EC-TMV	ASSE 1070 Thermostatic Mixing Valve
13	5EF-0005	Supply Hose, 9/16-24 Female x 1/2" NPSM
14	019082-45	Body Screw w/ L-Key

 A maximum of (8) ChekPoint faucets can be powered by EC-HARDWIRE ChekPoint Hardwire AC Transformer when connected using EC-ADEWIRE cables. (Both sold separately)



018543-45
Torx T-20 VR L-Key



015425-45
VR Aerator Key

Flow Control Switches are Located Behind the Sensor.
Remove Battery to Access Switches.

* Switches are set to DEFAULT position:

- Auto Time Out = 15 seconds
- Shut Off Delay = 1 second
- Auto Flush = OFF

* Available Water Flow Control Selections:

- Auto Time Out: 15 sec, 30 sec, 45 sec, 60 sec, 3 min, 20 min
- Shut Off Delay: 1 sec, 10 sec, 15 sec, 30 sec
- Auto Flush (30 Seconds After Every 12 Inactive Hours): ON or OFF

Product Specifications:

Chrome Plated Brass Above Deck Electronics Faucet, Single Hole Single Temperature Deck Mount, 5 7/16" Swivel Gooseneck w/ 0.5 GPM VR Non-Aerated Spray Device, Low Flow Hydro-Generator Powered, Thermostatic Temperature Control Mixing Valve, Stainless Steel Flexible Supply Hoses & 3/8" Compression Inlets

Product Compliance:

ASME A112.18.1 / CSA B125.1
NSF 61 - Section 9
NSF 372 (Low Lead Content)
ANSI A117.1 (ADA)
UL 1951
ASSE 1070 (TMV)