



# T&S BRASS AND BRONZE WORKS, INC.

2 Saddleback Cove / P.O. Box 1088  
Travelers Rest, SC 29690

Model No.

**B-2990-WH4-VF05**

Item No.

Travelers Rest, SC: 800-476-4103 • Simi Valley, CA: 800-423-0150 • Fax: 864-834-3518 • www.tsbrass.com

This Space for Architect/Engineer Approval

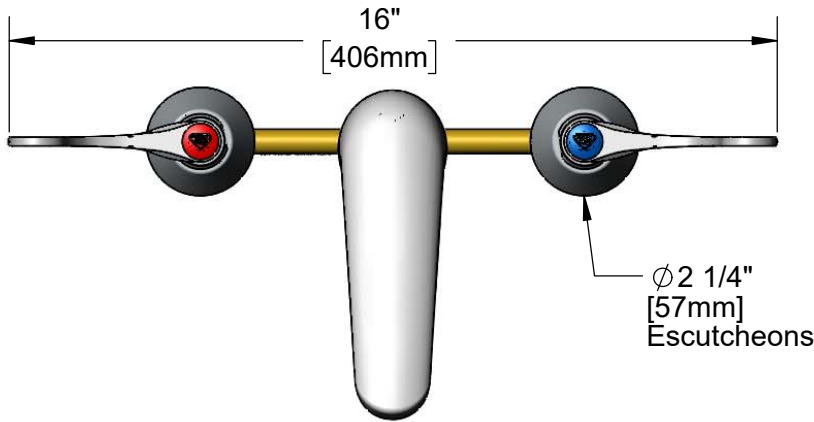
Job Name \_\_\_\_\_ Date \_\_\_\_\_

Model Specified \_\_\_\_\_ Quantity \_\_\_\_\_

Customer/Wholesaler \_\_\_\_\_

Contractor \_\_\_\_\_

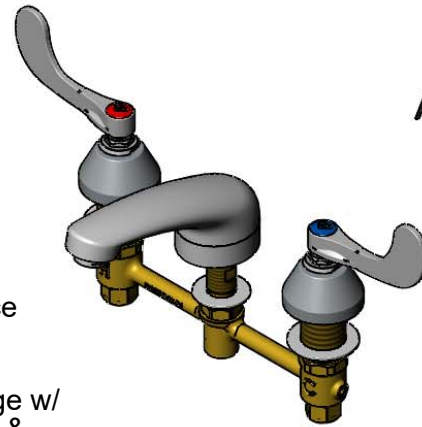
Architect/Engineer \_\_\_\_\_



Ø 2 1/4" [57mm]  
Escutcheons

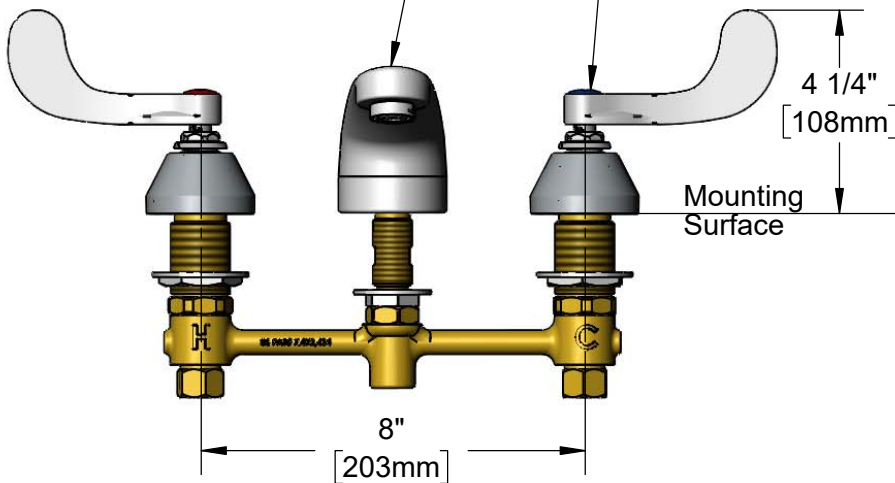


**ADA Compliant**

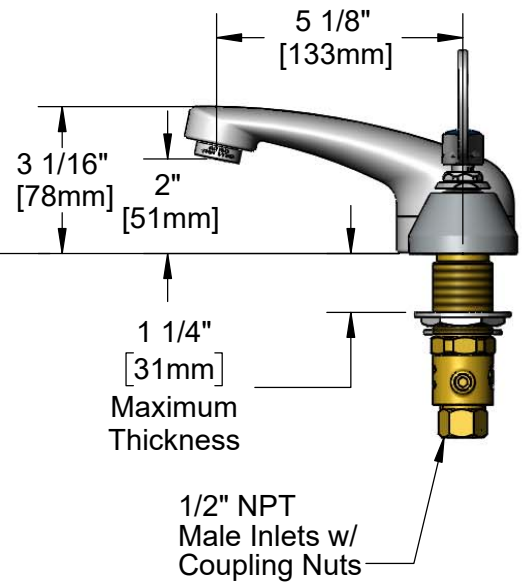


Lavatory Spout w/  
B-0199-08-N05  
0.5 GPM VR  
Non-Aerated Spray Device

Quarter-Turn  
Eterna Cartridge w/  
Spring Checks &  
4" Wrist Action Handles  
& Color Coded Indexes  
& VR Screws



Mounting  
Surface



**Rough-In Requirement:**  
Center Shank: Ø 1" [25mm] Mounting Hole  
Hot/Cold Side: Ø 1 1/2" [38mm] Mounting Holes

**Product Specifications:**  
8" Concealed Widespread EasyInstall Mixing Faucet, 4" Wrist Action Handles, VR Screws, Quarter-Turn Eterna Cartridges w/ Spring Checks, Lavatory Spout w/ 0.5 GPM VR Non-Aerated Spray Device 1/2" NPT Male Inlets w/ Coupling Nuts

**Product Compliance:**  
ASME A112.18.1 / CSA B125.1  
NSF 61 - Section 9  
NSF 372 (Low Lead Content)  
ANSI A117.1 (ADA)



# T&S BRASS AND BRONZE WORKS, INC.

2 Saddleback Cove / P.O. Box 1088  
Travelers Rest, SC 29690

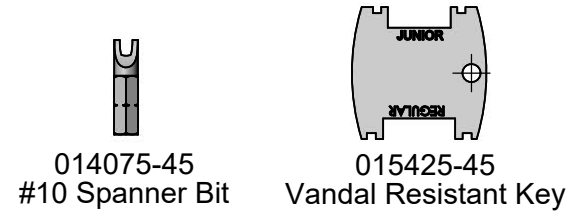
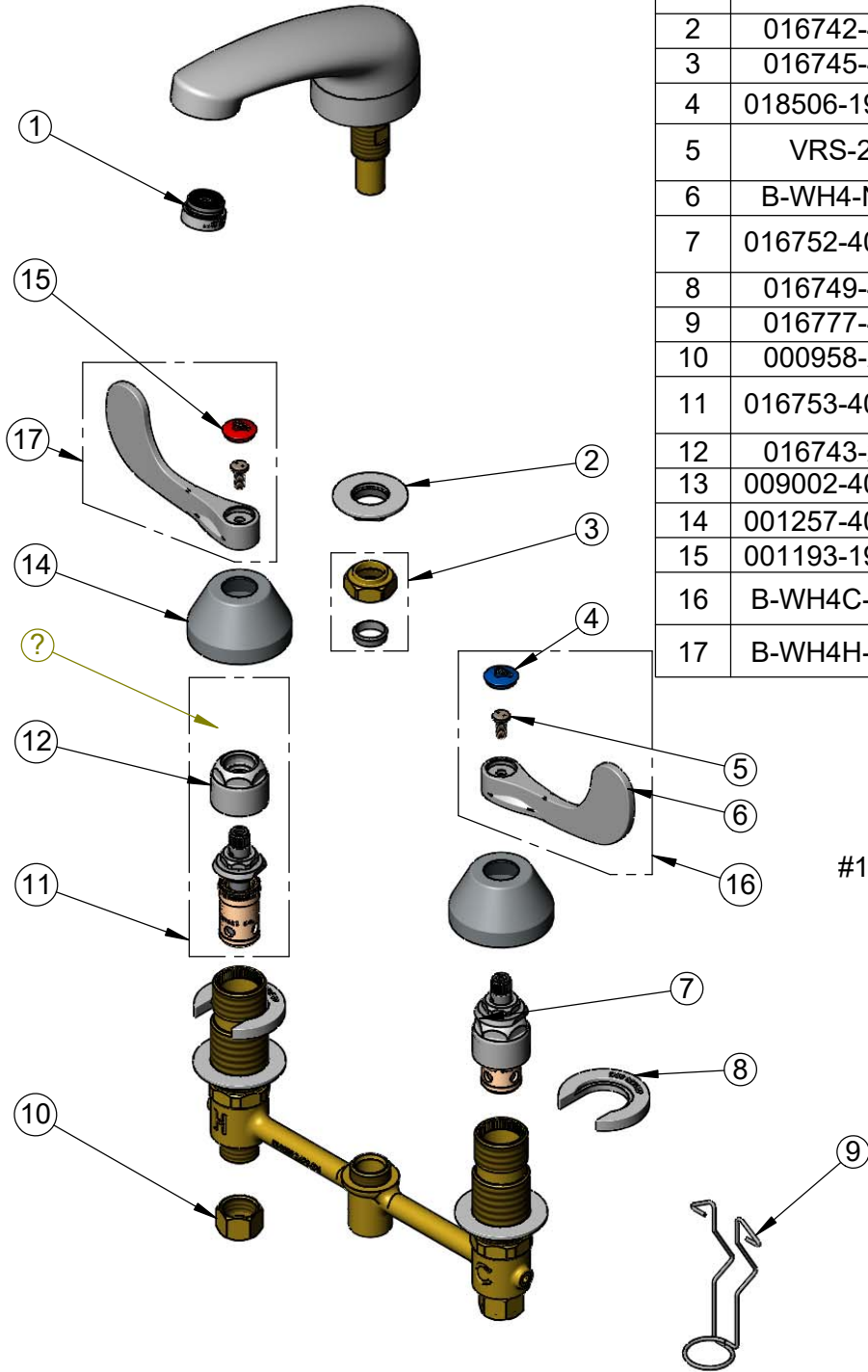
Model No.

**B-2990-WH4-VF05**

Item No.

Travelers Rest, SC: 800-476-4103 • Simi Valley, CA: 800-423-0150 • Fax: 864-834-3518 • www.tsbrass.com

ITEM NO.	SALES NO.	DESCRIPTION
1	B-0199-08-N05	0.5 GPM VR Spray Device, 13/16-27 Male
2	016742-45	Center Flange Nut
3	016745-45	Compression Nut & Fitting
4	018506-19NS	Blue Button Index, Press-in
5	VRS-2	VR Wrist Action Handle Screw (2) w/ Spanner Bit
6	B-WH4-NS	Wrist Action Handle - New Style
7	016752-40NS	EasyInstall, CWS Quarter-Turn Eterna Cartridge w/ Spring Check, LTC
8	016749-45	Sidebody C-Washer
9	016777-45	CWS Hanger
10	000958-20	Coupling Nut
11	016753-40NS	EasyInstall, CWS Quarter-Turn Eterna Cartridge w/ Spring Check, RTC
12	016743-25	CWS Bonnet
13	009002-40NS	Packing Assembly (New Style)
14	001257-40NS	Bell Escutcheon
15	001193-19NS	Red Button Index, Press-in
16	B-WH4C-NS	Wrist Action Handle, Blue Index & Screw
17	B-WH4H-NS	Wrist Action Handle, Red Index & Screw



**Product Specifications:**  
8" Concealed Widespread EasyInstall Mixing Faucet, 4" Wrist Action Handles, VR Screws, Quarter-Turn Eterna Cartridges w/ Spring Checks, Lavatory Spout w/ 0.5 GPM VR Non-Aerated Spray Device 1/2" NPT Male Inlets w/ Coupling Nuts

**Product Compliance:**  
ASME A112.18.1 / CSA B125.1  
NSF 61 - Section 9  
NSF 372 (Low Lead Content)  
ANSI A117.1 (ADA)