



T&S BRASS AND BRONZE WORKS, INC.

2 Saddleback Cove / P.O. Box 1088
Travelers Rest, SC 29690

Model No.

B-2345

Item No.

Travelers Rest, SC: 800-476-4103 • Simi Valley, CA: 800-423-0150 • Fax: 864-834-3518 • www.tsbrass.com



ADA Compliant

This Space for Architect/Engineer Approval

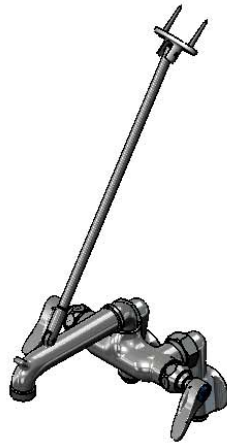
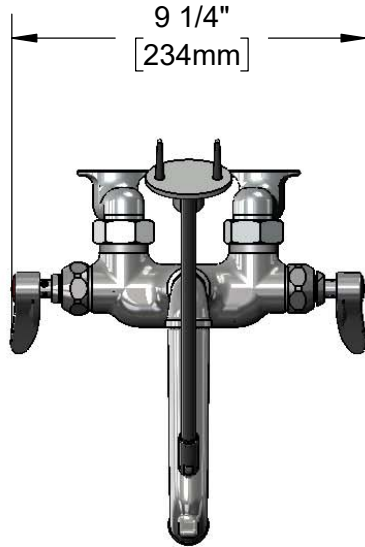
Job Name _____ Date _____

Model Specified _____ Quantity _____

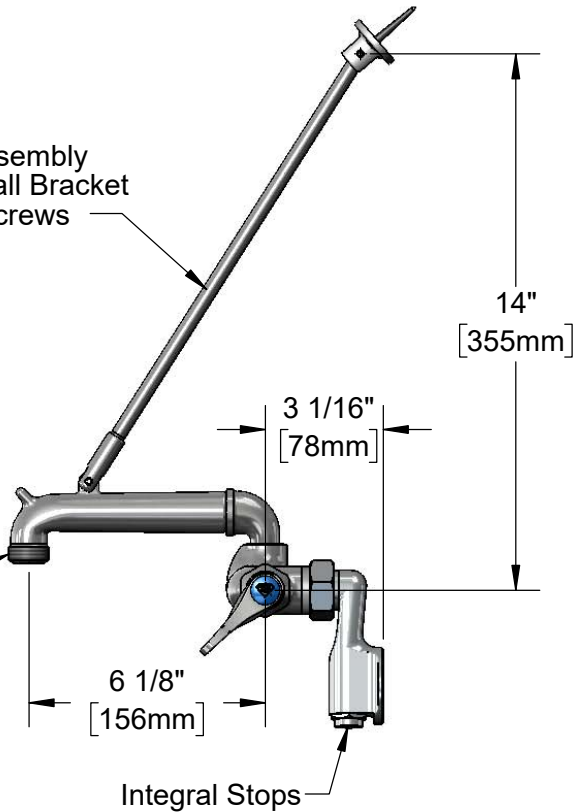
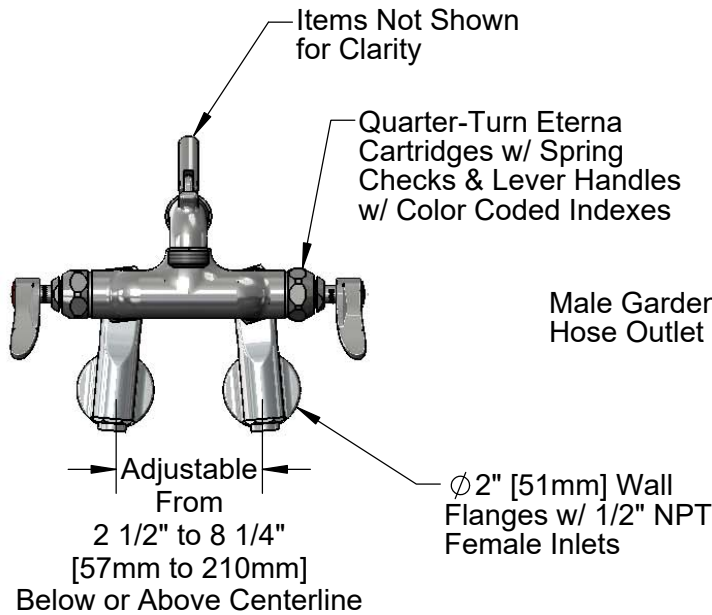
Customer/Wholesaler _____

Contractor _____

Architect/Engineer _____



Support Rod Assembly
Furnished w/ Wall Bracket
and Mounting Screws



Product Specifications:

Service Sink Faucet, Polished Chrome, Quarter-Turn Eterna Cartridges w/ Spring Checks, Lever Handles, Wall Support, Cast Spout w/ Male Garden Hose Outlet & 1/2" NPT Adjustable Arm Inlets w/ Integral Stops

Product Compliance:

ASME A112.18.1 / CSA B125.1
NSF 61 - Section 9
NSF 372 (Low Lead Content)
ANSI A117.1 (ADA)



T&S BRASS AND BRONZE WORKS, INC.

2 Saddleback Cove / P.O. Box 1088
Travelers Rest, SC 29690

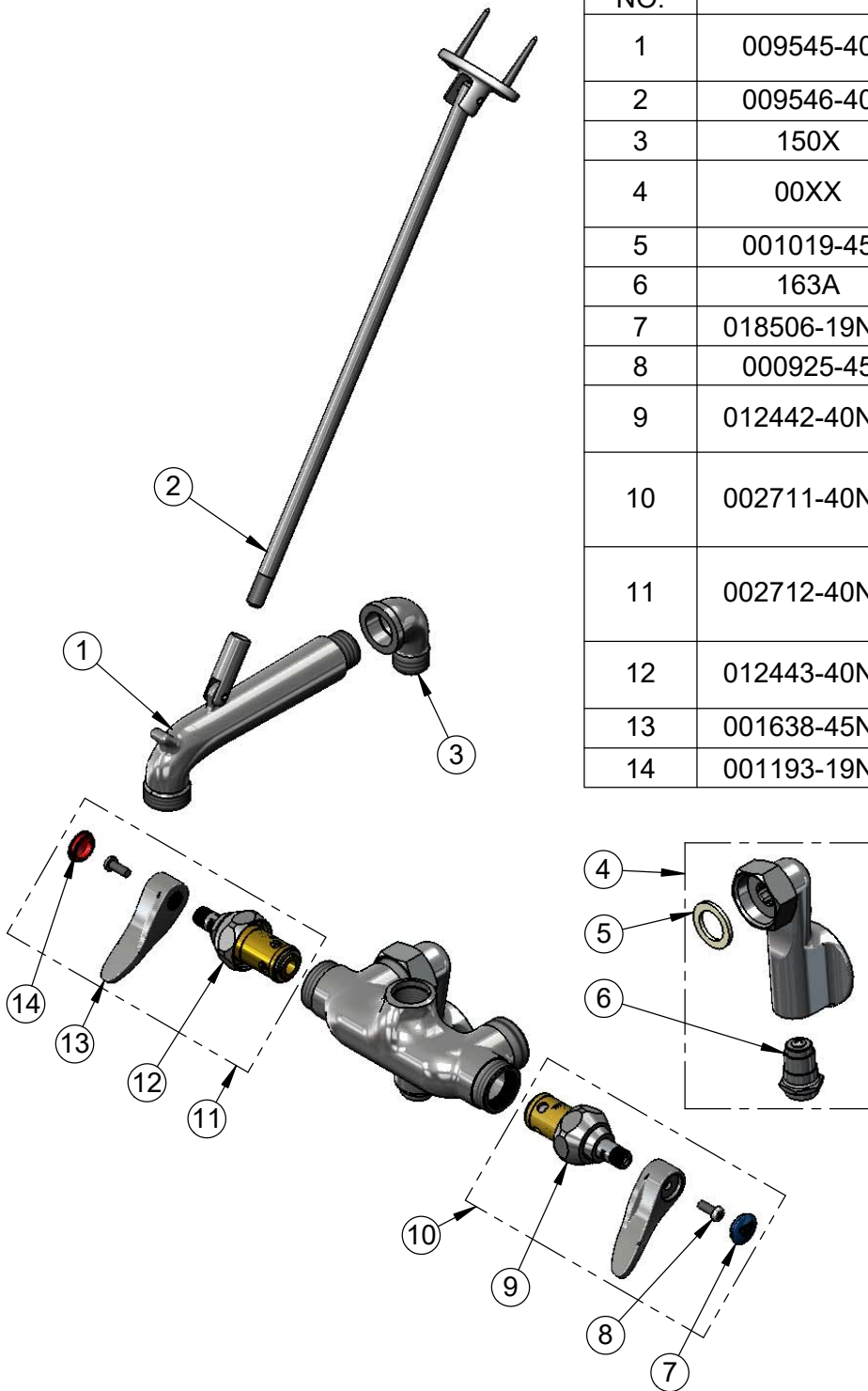
Model No.

B-2345

Item No.

Travelers Rest, SC: 800-476-4103 • Simi Valley, CA: 800-423-0150 • Fax: 864-834-3518 • www.tsbrass.com

ITEM NO.	SALES NO.	DESCRIPTION
1	009545-40	Cast Spout w/ Top Clevis, Polished Chrome
2	009546-40	Suprt Rod B-0665 - Polish Chrome
3	150X	1/2" NPT Street Elbow
4	00XX	1/2" NPT Female Adjustable Arm Inlet w/ Screwdriver Stop
5	001019-45	Coupling Nut Washer
6	163A	Built-in Service Stop
7	018506-19NS	Blue Button Index, Press-in
8	000925-45	Lab Handle Screw
9	012442-40NS	Quarter-Turn Eterna Cartridge w/ Spring Check, LTC
10	002711-40NS	Quarter-Turn Eterna Cartridge w/ Spring Check, Handle, Blue Index & Screw, LTC
11	002712-40NS	Quarter-Turn Eterna Cartridge w/ Spring Check, Handle, Red Index & Screw, RTC
12	012443-40NS	Quarter-Turn Eterna Cartridge w/ Spring Check, RTC
13	001638-45NS	Lever Handle (New Style)
14	001193-19NS	Red Button Index, Press-in



Product Specifications:

Service Sink Faucet, Polished Chrome, Quarter-Turn Eterna Cartridges w/ Spring Checks, Lever Handles, Wall Support, Cast Spout w/ Male Garden Hose Outlet & 1/2" NPT Adjustable Arm Inlets w/ Integral Stops

Product Compliance:

ASME A112.18.1 / CSA B125.1
NSF 61 - Section 9
NSF 372 (Low Lead Content)
ANSI A117.1 (ADA)