



T&S BRASS AND BRONZE WORKS, INC.

2 Saddleback Cove / P.O. Box 1088
Travelers Rest, SC 29690

Model No.

B-0871-CR

Item No.

Travelers Rest, SC: 800-476-4103 • Simi Valley, CA: 800-423-0150 • Fax: 864-834-3518 • www.tsbrass.com



ADA Compliant

This Space for Architect/Engineer Approval

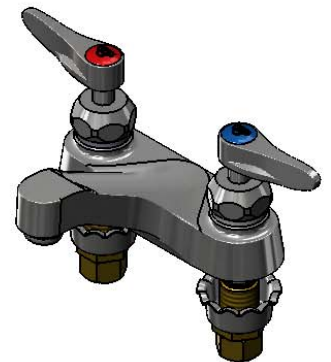
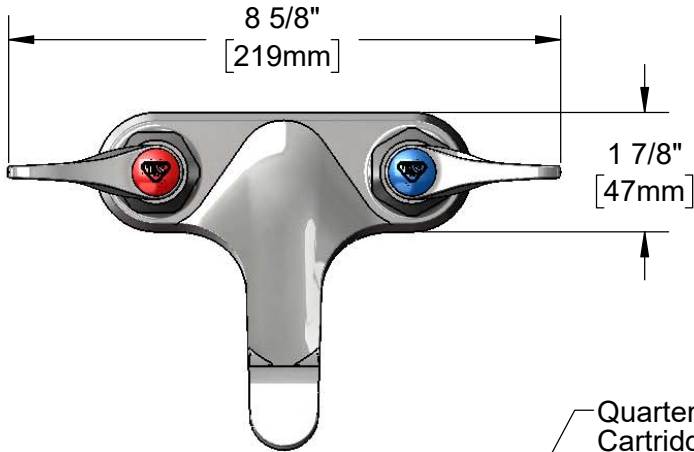
Job Name _____ Date _____

Model Specified _____ Quantity _____

Customer/Wholesaler _____

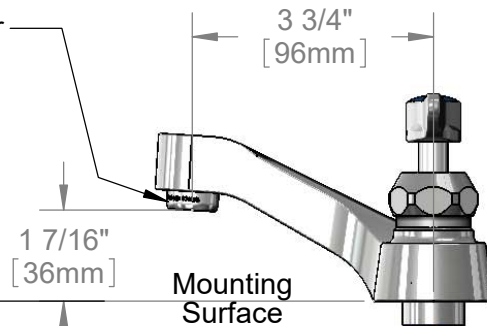
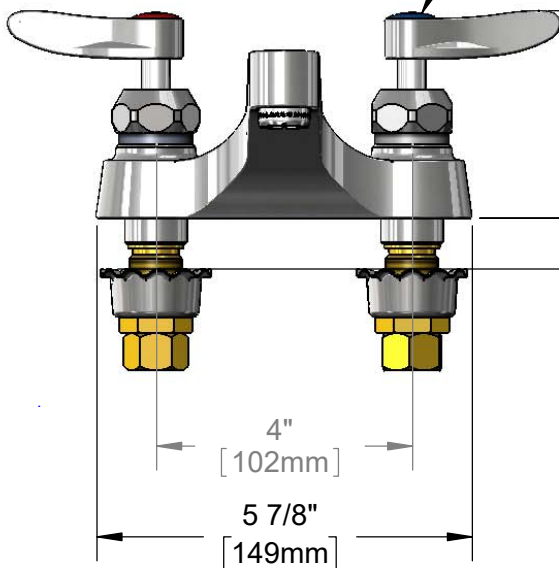
Contractor _____

Architect/Engineer _____



Quarter-Turn Cerama Cartridges w/ Check Valves & Lever Handles w/ Color Coded Indexes

B-0199-03
2.2 GPM Aerator



Mounting Surface

1/2" NPSM Male Inlets w/ Coupling Nuts

3/4" [19mm] Maximum Thickness

Rough-In Requirement:
(2) ϕ 1 1/8" [29mm] Mounting Holes

Product Specifications:
4" Centerset Deck Mount Faucet, Quarter-Turn Cerama Cartridges w/ Check Valves, Lever Handles, 2.2 GPM Aerator & 1/2" NPSM Male Inlets w/ Coupling Nuts

Product Compliance:
ASME A112.18.1 / CSA B125.1
NSF 61 - Section 9
NSF 372 (Low Lead Content)
ANSI A117.1 (ADA)

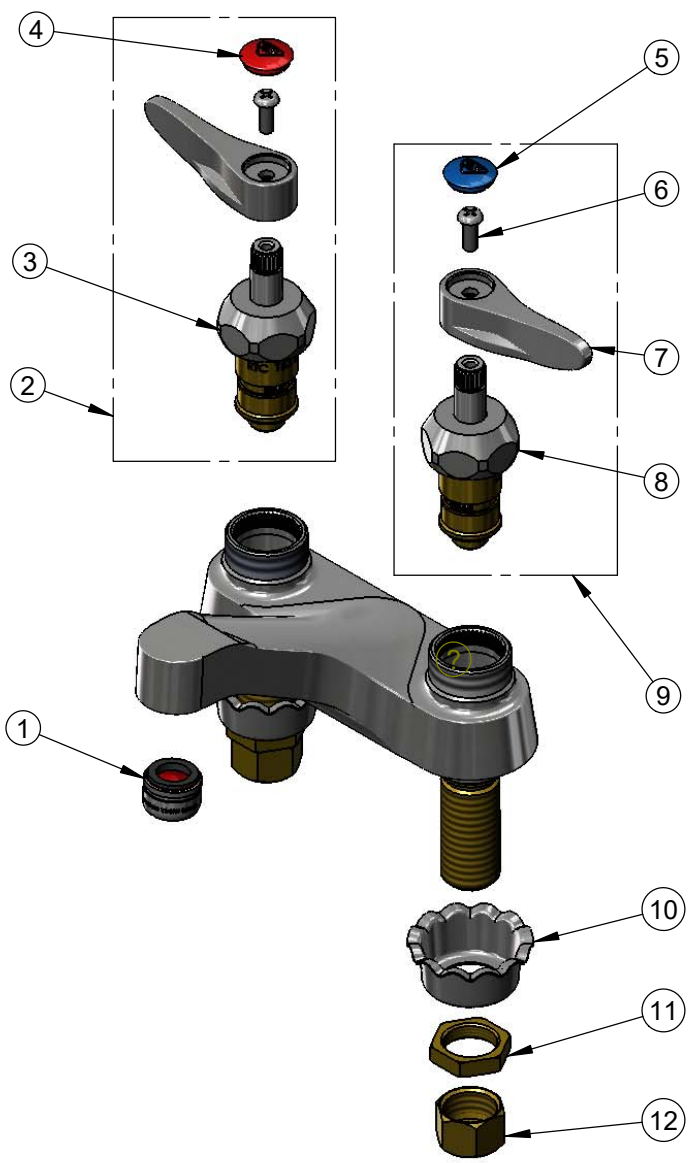


T&S BRASS AND BRONZE WORKS, INC.
 2 Saddleback Cove / P.O. Box 1088
 Travelers Rest, SC 29690

Model No.
B-0871-CR
 Item No.

Travelers Rest, SC: 800-476-4103 • Simi Valley, CA: 800-423-0150 • Fax: 864-834-3518 • www.tsbrass.com

ITEM NO.	SALES NO.	DESCRIPTION
1	B-0199-03	2.2 GPM Aerator, 13/16-27 UN Male
2	012446-25NS	Quarter-Turn Cerama Cartridge w/ Check Valve, Handle, Red Index & Screw, RTC
3	012394-25NS	Quarter-Turn Cerama Cartridge w/ Check Valve, RTC
4	001193-19NS	Red Button Index, Press-in
5	018506-19NS	Blue Button Index, Press-in
6	000925-45	Lab Handle Screw
7	001638-45NS	Lever Handle (New Style)
8	012395-25NS	Quarter-Turn Cerama Cartridge w/ Check Valve, LTC
9	012447-25NS	Quarter-Turn Cerama Cartridge w/ Check Valve, Handle, Blue Index & Screw, LTC
10	001000-45	Rosette Washer
11	002954-45	Shank Lock Nut
12	000958-20	Coupling Nut



Product Specifications:
 4" Centerset Deck Mount Faucet, Quarter-Turn Cerama Cartridges w/ Check Valves, Lever Handles, 2.2 GPM Aerator & 1/2" NPSM Male Inlets w/ Coupling Nuts

Product Compliance:
 ASME A112.18.1 / CSA B125.1
 NSF 61 - Section 9
 NSF 372 (Low Lead Content)
 ANSI A117.1 (ADA)