



T&S BRASS AND BRONZE WORKS, INC.

2 Saddleback Cove / P.O. Box 1088
Travelers Rest, SC 29690

Model No.

B-0577

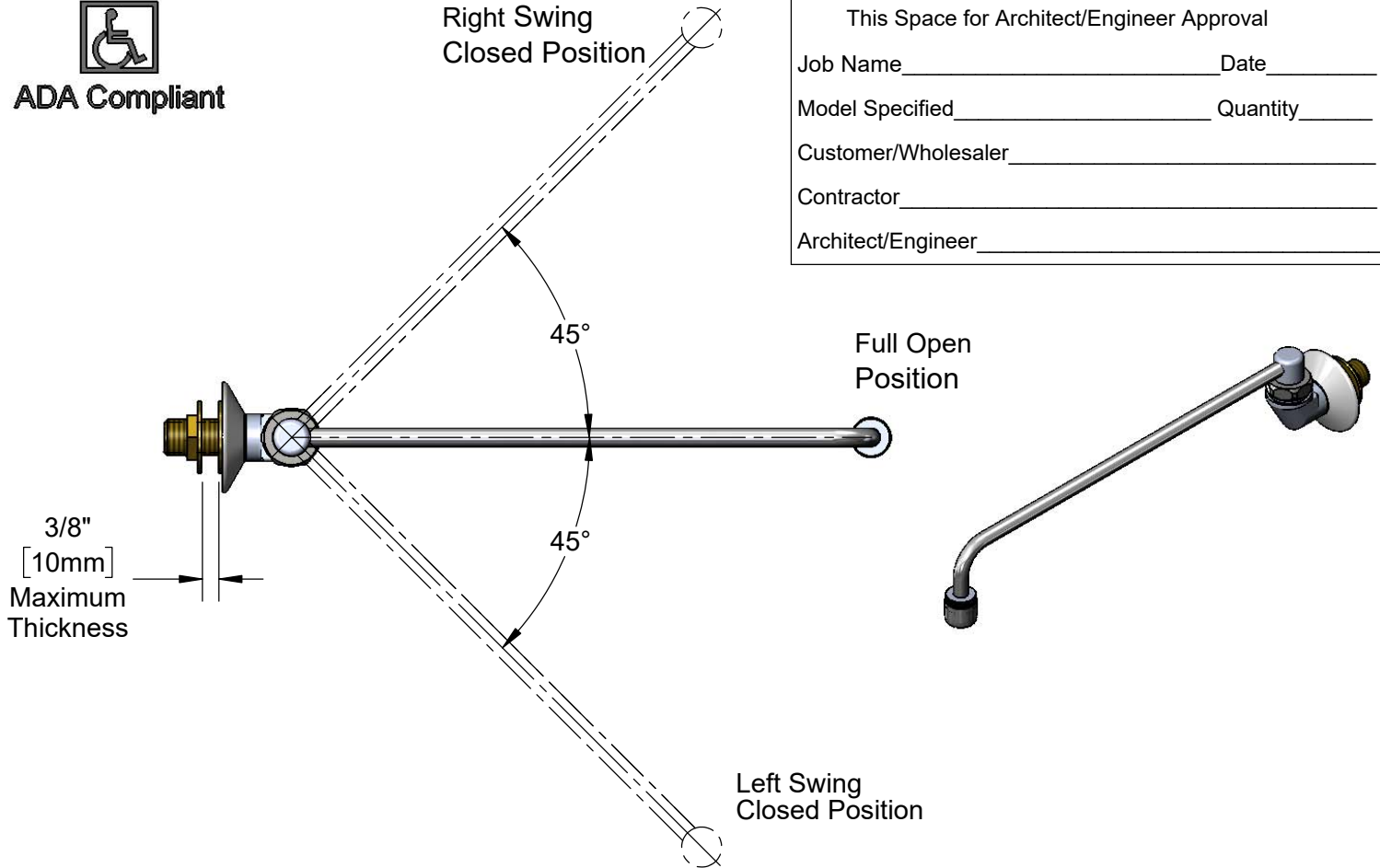
Item No.

Travelers Rest, SC: 800-476-4103 • Simi Valley, CA: 800-423-0150 • Fax: 864-834-3518 • www.tsbrass.com



ADA Compliant

Right Swing
Closed Position



This Space for Architect/Engineer Approval

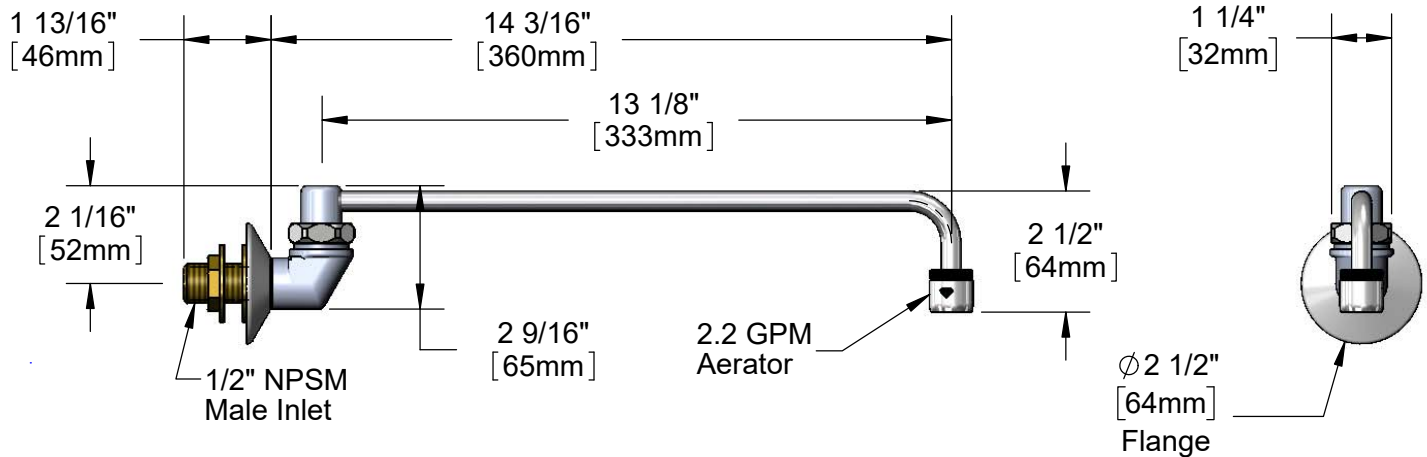
Job Name _____ Date _____

Model Specified _____ Quantity _____

Customer/Wholesaler _____

Contractor _____

Architect/Engineer _____



Rough-In Requirement:
Ø 1" [25mm] Mounting Hole

Product Specifications:
Range Faucet w/ 2.2 GPM Aerator Outlet,
Swing Nozzle & 1/2" NPSM Male Inlet

Product Compliance:
ASME A112.18.1 / CSA B125.1
NSF 61 - Section 9
NSF 372 (Low Lead Content)
ANSI A117.1 (ADA)



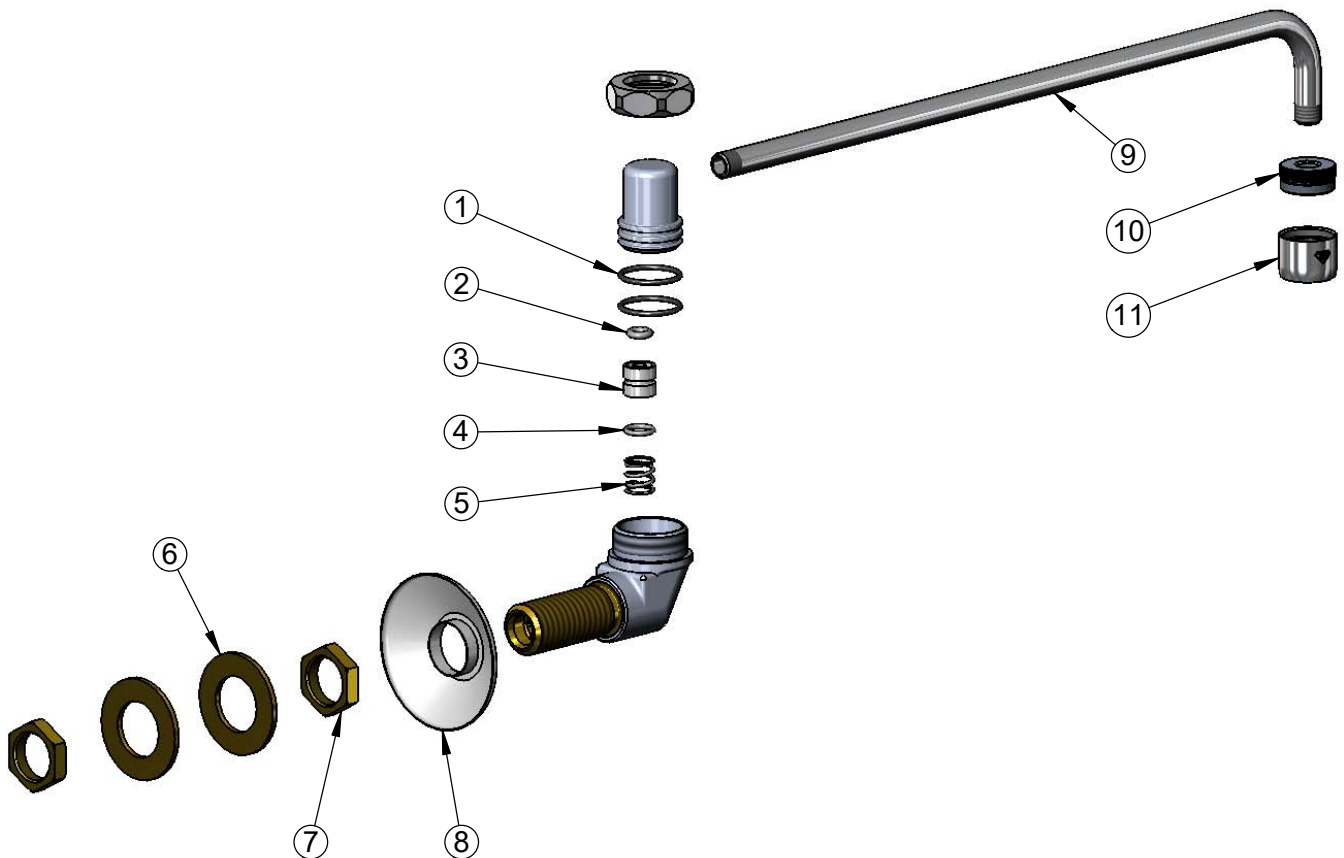
T&S BRASS AND BRONZE WORKS, INC.
 2 Saddleback Cove / P.O. Box 1088
 Travelers Rest, SC 29690

Model No.
B-0577

Item No.

Travelers Rest, SC: 800-476-4103 • Simi Valley, CA: 800-423-0150 • Fax: 864-834-3518 • www.tsbrass.com

| ITEM NO. | SALES NO. | DESCRIPTION |
|----------|-----------|-------------------------------------|
| 1 | 006562-45 | O-Ring |
| 2 | 009268-45 | O-Ring |
| 3 | 001621-20 | Dynamic Bearing |
| 4 | 009267-45 | O-Ring |
| 5 | 001625-45 | Wrist Action Return Spring |
| 6 | 000999-45 | Brass Lock Washer |
| 7 | 002954-45 | Shank Lock Nut |
| 8 | 001260-45 | Escutcheon (1/2"), B-1300 |
| 9 | 001626-40 | Nozzle |
| 10 | 001624-25 | Adapter, 1/8" Female x Male Aerator |
| 11 | B-0199-01 | 2.2 GPM Aerator, 55/64-27 UN Female |



Product Specifications:
 Range Faucet w/ 2.2 GPM Aerator Outlet,
 Swing Nozzle & 1/2" NPSM Male Inlet

Product Compliance:
 ASME A112.18.1 / CSA B125.1
 NSF 61 - Section 9
 NSF 372 (Low Lead Content)
 ANSI A117.1 (ADA)