

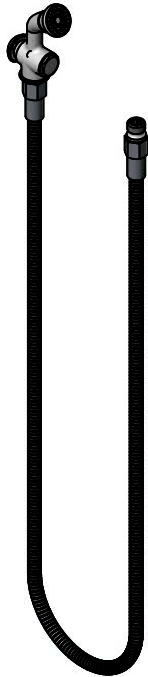


T&S BRASS AND BRONZE WORKS, INC.
 2 Saddleback Cove / P.O. Box 1088
 Travelers Rest, SC 29690

Model No.
B-0101-60H

Item No.

Travelers Rest, SC: 800-476-4103 • Simi Valley, CA: 800-423-0150 • Fax: 864-834-3518 • www.tsbrass.com



This Space for Architect/Engineer Approval

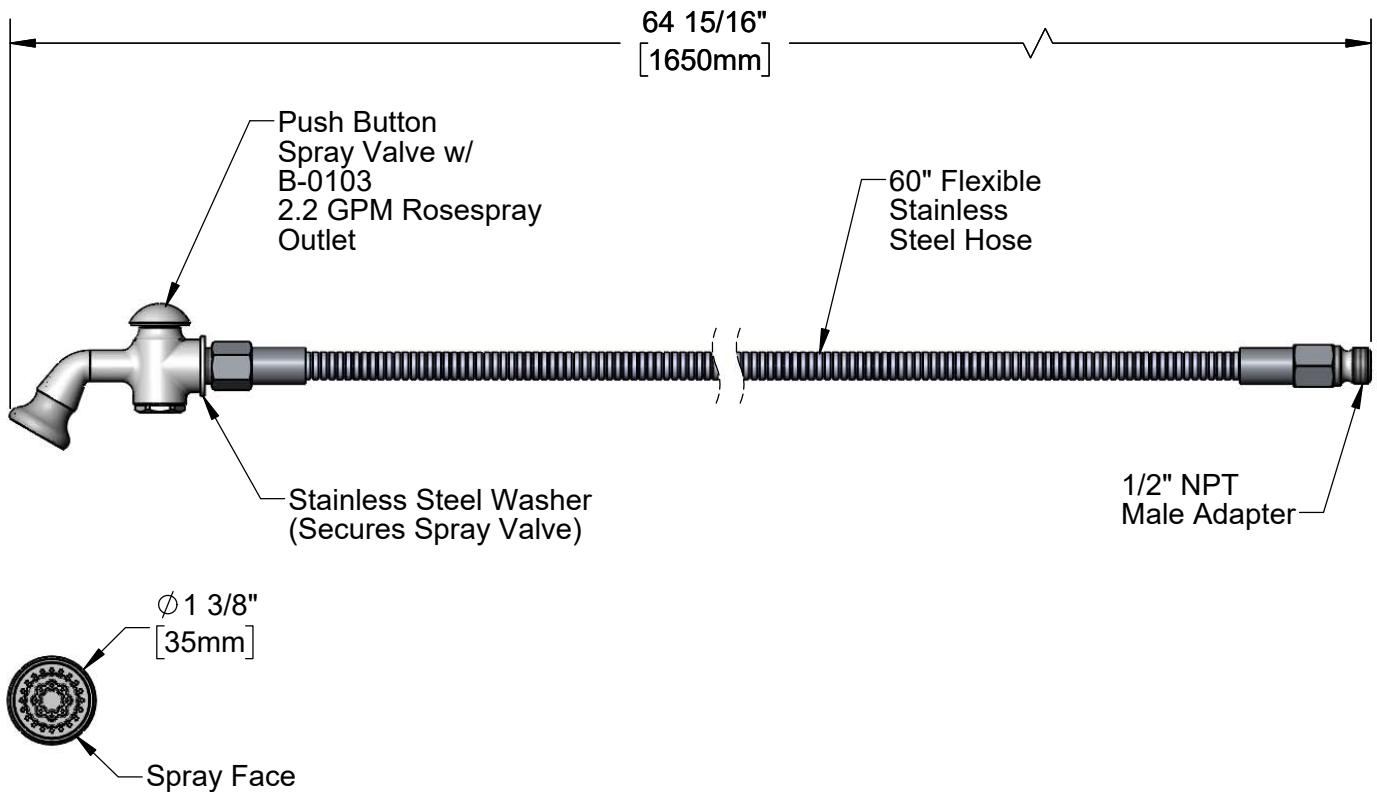
Job Name _____ Date _____

Model Specified _____ Quantity _____

Customer/Wholesaler _____

Contractor _____

Architect/Engineer _____



Product Specifications:
 Spray Valve w/ 2.2 GPM Rosespray Outlet & 60" Flexible Stainless Steel Hose

Product Compliance:
 ASME A112.18.1 / CSA B125.1
 NSF 61 - Section 9
 NSF 372 (Low Lead Content)
 2019 DOE PRSV Non-Compliant
 Product Not Designed/Intended for
 Commercial Warewashing in North America



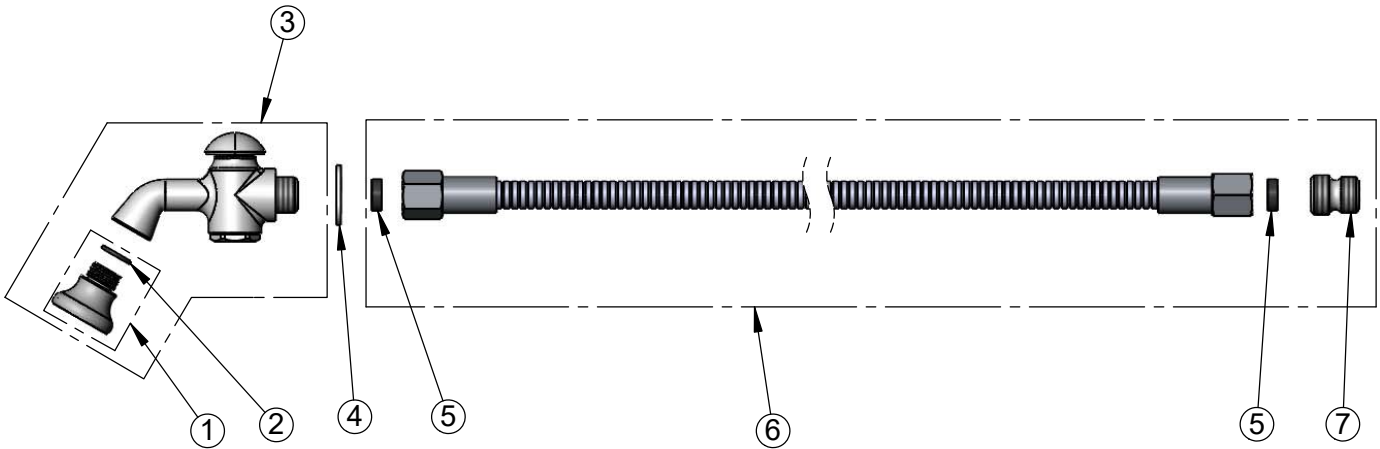
T&S BRASS AND BRONZE WORKS, INC.
 2 Saddleback Cove / P.O. Box 1088
 Travelers Rest, SC 29690

Model No.
B-0101-60H

Item No.

Travelers Rest, SC: 800-476-4103 • Simi Valley, CA: 800-423-0150 • Fax: 864-834-3518 • www.tsbrass.com

| ITEM NO. | SALES NO. | DESCRIPTION |
|----------|-----------|------------------------------------|
| 1 | B-0103 | 2.2 GPM Rosespray, 3/8-18 NPT Male |
| 2 | 006575-45 | -015 O-Ring |
| 3 | 002857-40 | 016A Spray Valve |
| 4 | 001010-40 | Washer, Stainless Steel |
| 5 | 010476-45 | #27 Washer |
| 6 | 013E-60H | 60" Flexible Stainless Steel Hose |
| 7 | 055A | Adapter, 1/2 NPT Male |



Product Specifications:
 Spray Valve w/ 2.2 GPM Rosespray Outlet & 60" Flexible Stainless Steel Hose

Product Compliance:
 ASME A112.18.1 / CSA B125.1
 NSF 61 - Section 9
 NSF 372 (Low Lead Content)
 2019 DOE PRSV Non-Compliant
 Product Not Designed/Intended for
 Commercial Warewashing in North America