



T&S BRASS AND BRONZE WORKS, INC.
 2 Saddleback Cove / P.O. Box 1088
 Travelers Rest, SC 29690

Model No.
AG-K Series

Item No.

Travelers Rest, SC: 800-476-4103 • Simi Valley, CA: 800-423-0150 • Fax: 864-834-3518 • www.tsbrass.com

This Space for Architect/Engineer Approval

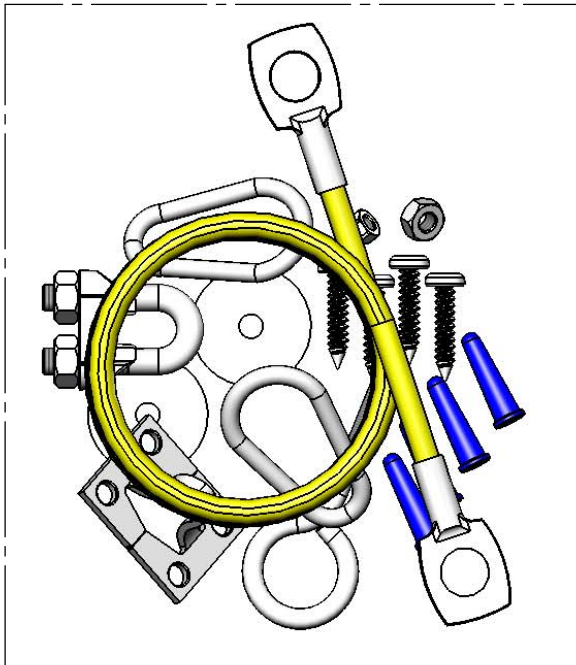
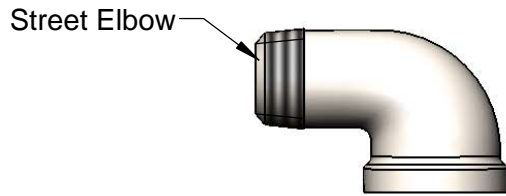
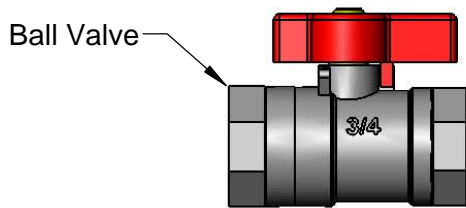
Job Name _____ Date _____

Model Specified _____ Quantity _____

Customer/Wholesaler _____

Contractor _____

Architect/Engineer _____



Installation Kit: Restraining Cable

1/2" NPT	3/4" NPT	1" NPT	1 1/4" NPT	5' Cable w/ Hardware
AG-KC	AG-KD	AG-KE	AG-KF	AG-RC

AG-8 Series Product Configurator: AG - K

Ex: AG - K C

Restraining Cable Installation kit w/ 1/2" NPT Gas Street Male Elbow
 and 1/2" NPT Ball Valve

Product Specifications:
 Installation Kit:
 Street Elbow, Ball Valve and Restraining Cable with Mounting Hardware

Product Compliance:
 ANSI Z21.15a / CSA 9.1a (Gas Valves)
 NFPA 54