

Nexus® Close Coupled Toilet, 1.28 GPF

FEATURES

- TORNADO FLUSH® system, high-efficiency (1.28 GPF/4.8 LPF)
- CEFIONTECT® ceramic glaze prevents debris and mold from sticking to ceramic surfaces
- Specially designed to accommodate a WASHLET®+
- Completely skirted design for a sleek and understated look that's easier to clean
- Universal Height
- Elongated front bowl and seat
- 12" Rough-in
- Chrome plated trip lever

MODELS

- **MS442124CEFG** (#01, #03, #11, #12)
With CEFIONTECT ceramic glaze & includes SS124 SoftClose® seat
- **MS442124CEF** (#51)
Same as MS442124CEFG without CEFIONTECT ceramic glaze

COMPONENTS

- **CT442CUFGT40**
Elongated bowl with CEFIONTECT
- **CT442CUFT40**
Elongated bowl without CEFIONTECT
- **ST442EA**
Tank and cover only
- **SS124**
SoftClose seat

OPTIONAL COMPONENTS

- **TSU10W.14**
14" Unifit Rough-in
- **THU750#01**
Trip Lever - Cotton
- **THU750#BN**
Trip Lever - Brushed Nickel
- **THU750#PN**
Trip Lever - Polished Nickel

COLORS/FINISHES

- #01 Cotton
 - #12 Sedona Beige
- Made to Order**
- #03 Bone
 - #11 Colonial White
 - #51 Ebony



-  **TORNADO FLUSH**
-  **Skirted Design**
-  **CEFIONTECT**
-  **Universal Height**

PRODUCT SPECIFICATION

The two-piece high-efficiency TORNADO FLUSH system toilet shall be 1.28 GPF/4.8 LPF. Toilet shall be 12" Unifit rough-in. Toilet shall have optional CEFIONTECT ceramic glaze and be at Universal Height. Toilet shall have elongated front bowl with SoftClose seat and Polished Chrome trip lever. Toilet shall be TOTO Model MS442124CEF_____.

CODES/STANDARDS

- Meets or exceeds ASME A112.19.2/CSA B45.1
- Certifications: IAPMO(cUPC), EPA Watersense, State of Massachusetts, City of Los Angeles, and others
- Code compliance: UPC, IPC, NSPC, NPC Canada, and others
- Legislative Compliance: California AB715, California Green Building Code, City of Los Angeles Water Efficiency Ordinance
- ADA compliant (when installed with trip lever located on the approach side)
- Complies with CA Prop 65 warning requirements



MS442124CEF(G)

Nexus® Close Coupled Toilet, 1.28 GPF

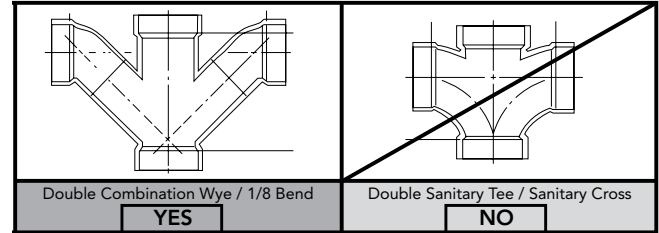
SPECIFICATIONS

Water Use	1.28 GPF (4.8 LPF)
Flush System	TORNADO FLUSH®
Min. Water Pressure	8 psi (Static)
Water Surface	6-5/8" x 9-1/8"
Trap Diameter	2-1/8"
Rough-in	12" (14" Optional)
Trap Seal	2-1/4"
Warranty	One Year Limited Warranty
Material	Vitreous China
Shipping Weight	CT442CUF(G)T40 87 lbs
	ST442UA 25 lbs
Shipping Dimensions	CT442CUF(G)T40 29-3/4"L x 18-1/4"W x 18-3/4"H
	ST442EA 17-1/4"L x 7-7/8"W x 17-1/2"H

INSTALLATION NOTES

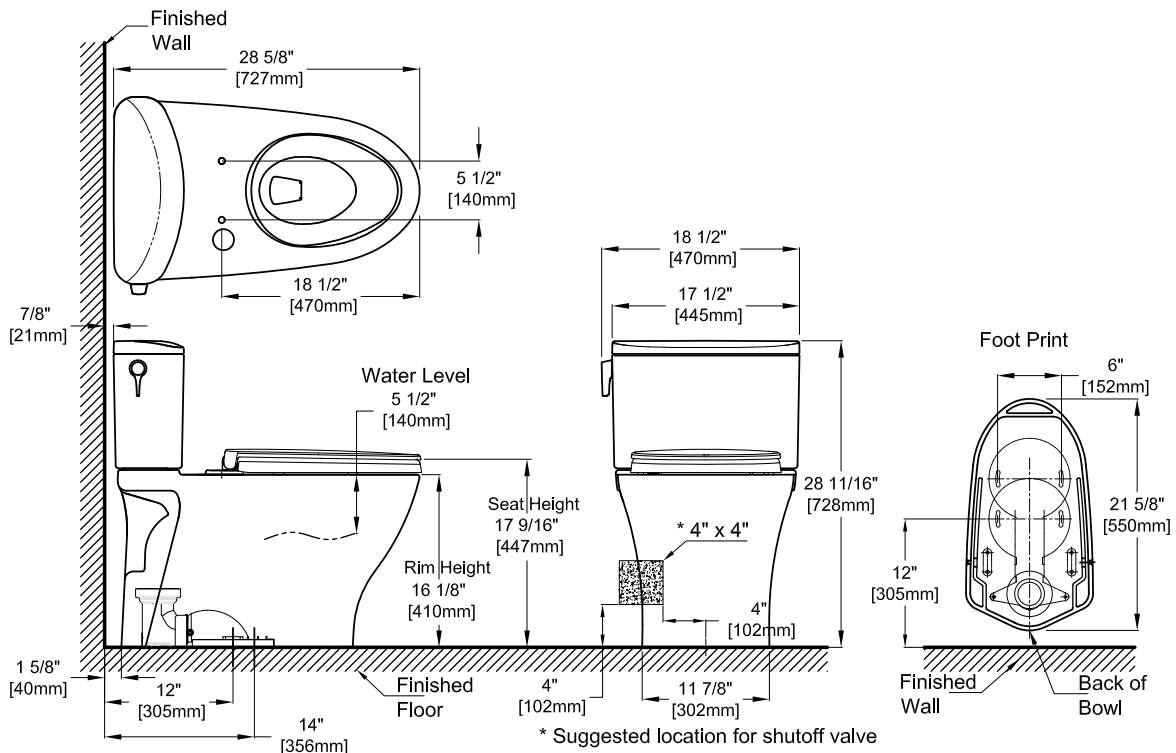
Back-to-Back Toilet Installations:

TOTO recommends the use of a nationally listed, double sanitary tee-wye only, in vertical waste stacks, in accordance with the stipulations noted in the majority of nationally recognized plumbing codes.



To maintain adequate wall gap between the back of the tank and wall, mount the floor flange at a nominal 12" rough-in distance.

DIMENSIONS



TOTO®

These dimensions and specifications are subject to change without notice