

443RH, 443TB-18, 443TB-24, 443TP, 443TR
Carrington[™] Accessories
Operation & Maintenance Manual

Model Numbers	Specifications
<input type="checkbox"/> 443RH <i>Robe Hook</i> <input type="checkbox"/> 443TB-18 <i>18" Towel Bar</i> <input type="checkbox"/> 443TB-24 <i>24" Towel Bar</i> <input type="checkbox"/> 443TP <i>Toilet Paper Holder</i> <input type="checkbox"/> 443TR <i>Towel Ring</i>	<p>All premium accessories made from brass plated in standard polished chrome finish.</p>
Modifications	Warranty
<input type="checkbox"/> -PNL <i>Polished nickel finish</i> <input type="checkbox"/> -STN <i>Satin nickel finish</i>	<p>Limited Lifetime - to the original end purchaser in consumer installations. 5 Years - for commercial installations.</p> <p>Refer to www.symmons.com/warranty for complete warranty information.</p>

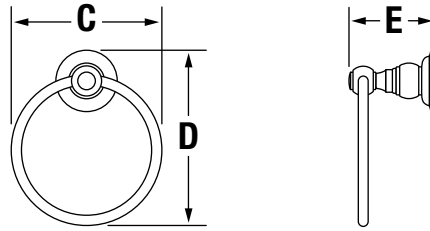
Note: Append appropriate -suffix to model number.

Dimensions

443RH



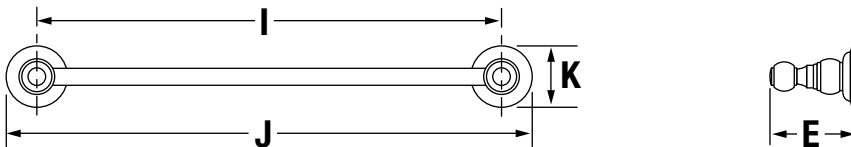
443TR



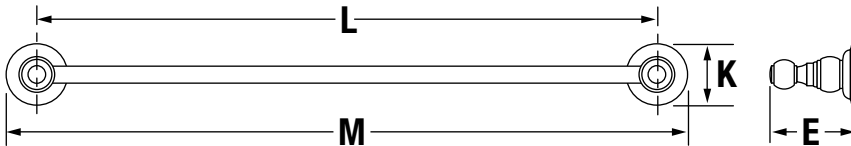
443TP



443TB-18



443TB-24



Measurements

A	Ø 2 3/8", 60 mm
B	2 3/4", 70 mm
C	5 7/8", 149 mm
D	6 3/4", 171 mm
E	3 3/8", 86 mm
F	7 1/8", 181 mm
G	3 11/16", 94 mm
H	4 3/8", 111 mm
I	18", 457 mm
J	20 3/8", 518 mm
K	2 3/8", 60 mm
L	24", 610 mm
M	26 3/8", 670 mm

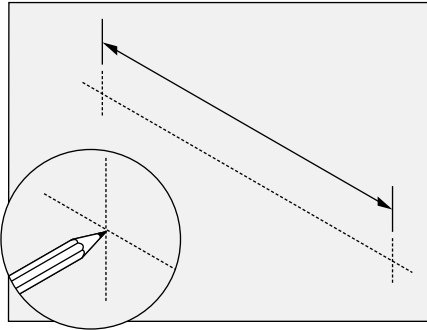
Required for Installation

Phillips head screwdriver	
Allen wrench (1/8")	
Power drill	

Note: Dimensions are subject to change without notice.

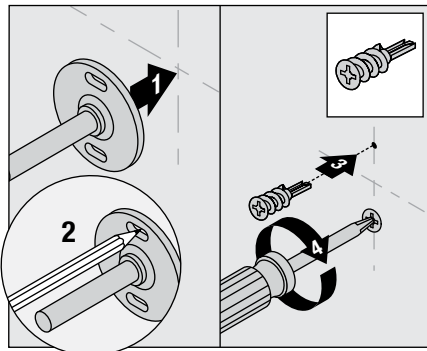
Installation

- 1) Measure and mark centerlines for mounting bracket installation using dimensions on page 2.

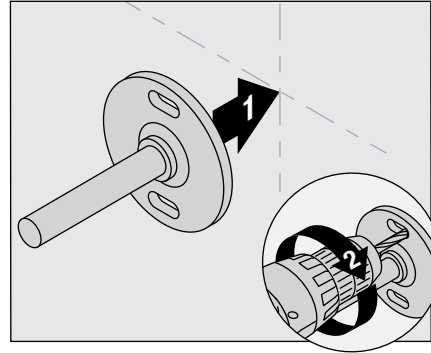


Notes: 443TB-18 and 443TB-24 only. Make sure both centerline marks are level.

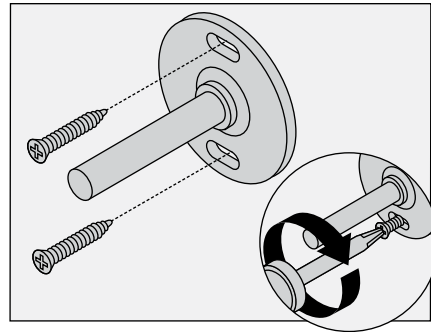
- 2a) **Dry Wall Option:** Place mounting brackets into desired position. Using brackets as a guide, mark holes. Screw self-drilling anchors into wall.



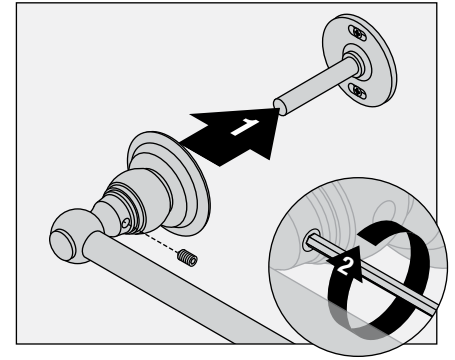
- 2b) **Stud Option:** Place mounting brackets into desired position. Using brackets as a guide, carefully drill 3/16" holes into wall.



- 3) With mounting brackets in position, secure to wall using screws.



- 4) Slide accessory into position on bracket and secure with set screw.



Care and Cleaning

- 1) Clean finished trim area with a soft cloth using mild soap and water or a non-abrasive cleaner and then quickly rinse with water.