

# SYMMONS® Museo®

## Two Handle Widespread Lavatory Faucet

### SLW-5312 Series

# Installation Brief



#### Model Number

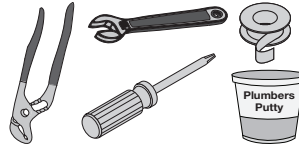
SLW-5312 Two Handle Lavatory  
Series faucet with pop-up  
drain assembly

#### Decorative Finish Code

*Append to part numbers when applicable*

- BLK Polished graphite finish
- STN Satin nickel finish
- Polished chrome  
(standard finish)

#### Tools & Materials



#### Compliance

- ASME A112.18.1/CSA B125.1
- NSF/ANSI 61.9, NSF/ANSI 372
- WaterSense 1.0 & 1.5 gpm

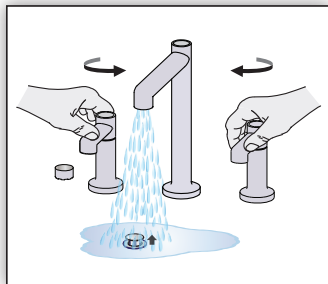


#### ☎ Need Help?

Contact Symmons customer service at  
P: (800) 796-6667, F: (800) 961-9621  
Email: [gethelp@symmons.com](mailto:gethelp@symmons.com)  
Monday - Friday 7:30 am - 7:00 pm EST

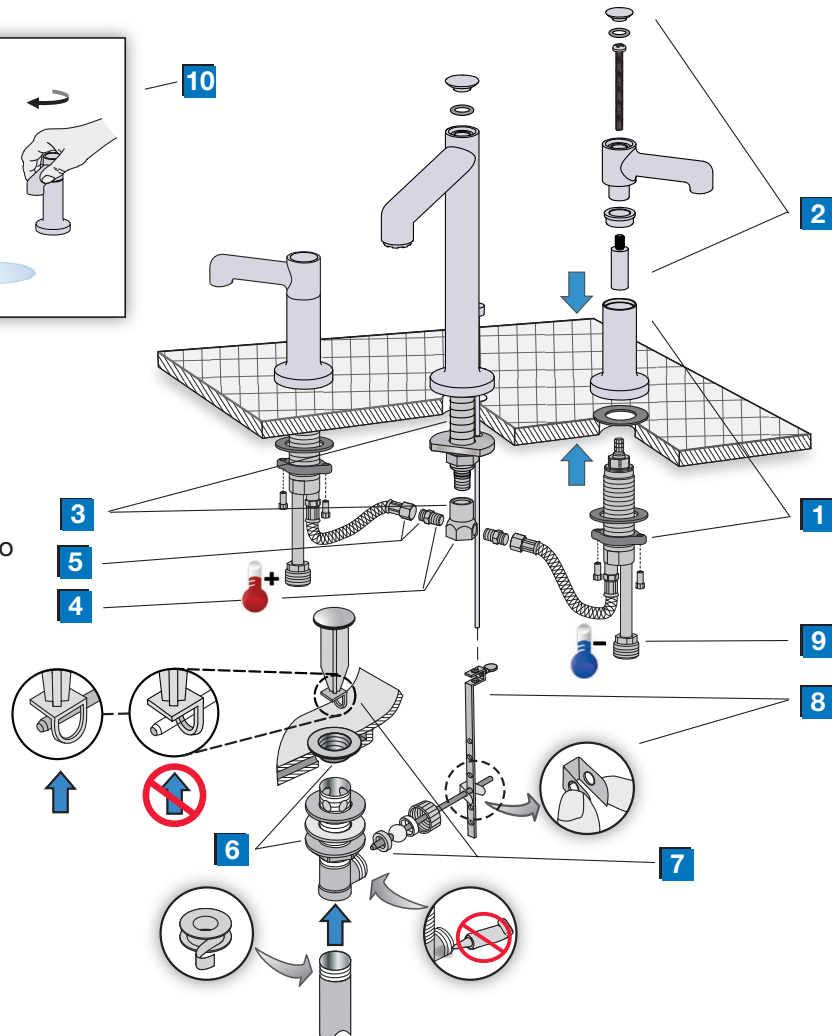
💻 Please check Symmons website  
for technical help, the latest product  
information and warranty policy.  
[www.symmons.com](http://www.symmons.com)

### Quick Install Guide Museo Widespread Lavatory Faucet, SLW-5312 Series

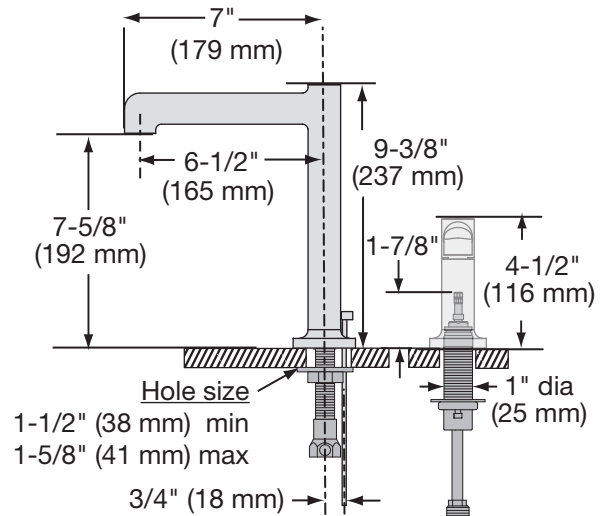
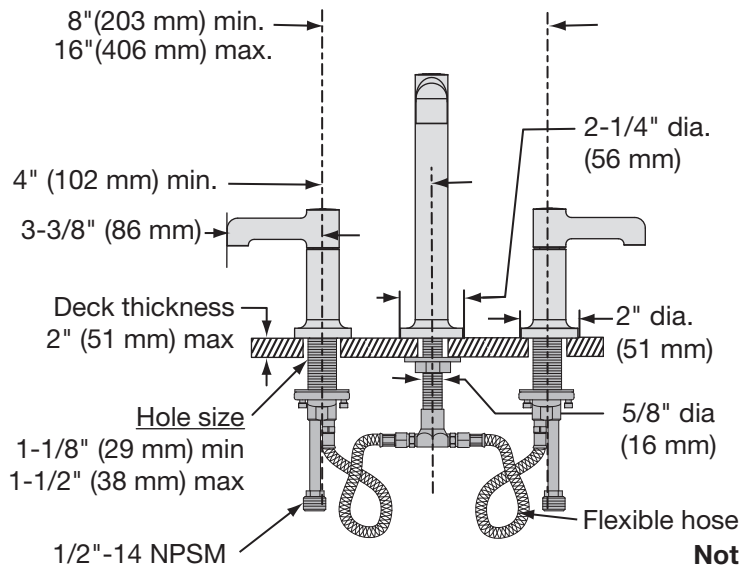


#### Step 4 Note:

Apply plumber tape to  
flex hose adapters.

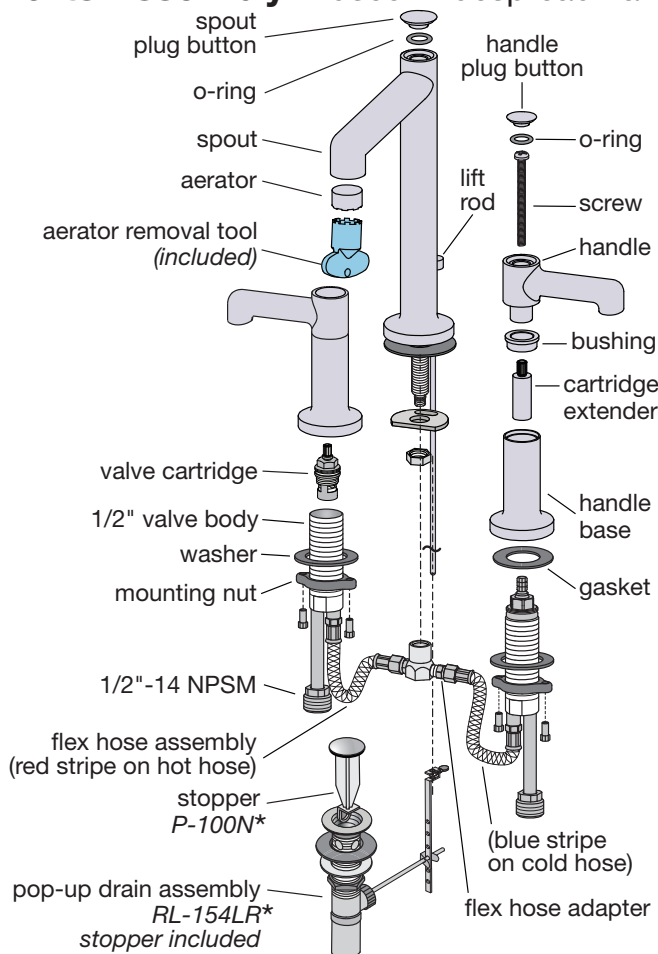


## Dimensions Museo Widespread Lavatory Faucet, SLW-5312 Series



**Note:** Dimensions subject to change without notice.

## Parts Assembly Museo Widespread Lavatory Faucet, SLW-5312 Series



### Replacement Parts

| Part Number  | Item   |
|--|--|
| WSF-788-KIT*   | handle assembly<br>(QTY 2 each)  |
| LN-794-KIT*  | spout and plug button kit  |
| RL-009-2.2<br>RL-009-1.5<br>RL-009-1.0                 | aerator & removal tool<br>flow rates<br>2.2 gpm (8.3L/min)<br>1.5 gpm (5.7L/min)<br>1.0 gpm (3.8L/min) |
| KN-114 (hot)<br>OFF = CW<br>KN-113 (cold)<br>OFF = CCW | valve cartridge<br>KN-113 identified by grooves  |
| RL-010*  | Lift rod   |

### Ordering replacement parts:

Call Symmons customer service at (800) 796-6667, (781) 848-2250 M-F 7:30 am - 7:00 pm EST or check our website at [www.symmons.com](http://www.symmons.com) for a list of Symmons distributors.

**\*Note:** When ordering replacement parts for faucets with an optional decorative finish, append appropriate three letter finish suffix code to part numbers marked with an asterisk (\*).

For California Residents

**WARNING:** This product contains chemicals known to the State of California to cause cancer, birth defects, or other reproductive harm.