

ADJUSTABLE FLASHING DRAIN

» 833 SERIES

FinishLine™

SPECIFICATION

Sioux Chief 833 series FinishLine™ adjustable above-grade flashing drain shall be used where necessary in drainage systems. Flashing drain shall allow adjustment of 1¼" before the concrete pour, and 1¼" after the concrete pour. Flashing drain shall have an invertible flashing collar and ABS/PVC base adapter. Strainer shall meet applicable load requirements for intended use. Trap primer port shall be threaded ½" FIP for optional connection. Designed in accordance with ASME A112.6.3-2001.

MATERIALS

Ring/strainer: Nickel-bronze, 301 stainless steel
Head adapter/coring sleeve/clamping collar: Gray ABS
Coring plug: High-impact polymer
Base adapter: ABS, PVC

STRAINER LOAD RATING	Large top	Standard top
Nickel-bronze (heel-proof):	750 lbs. (light duty)	1,650 lbs. (light duty)
Stainless steel (heel-proof):	1,000 lbs. (light duty)	2,000 lbs. (light duty)

STRAINER FREE AREA	Large top	Standard top
Round nickel-bronze/stainless:	11.75 in ²	7.5 in ²
Square nickel-bronze/stainless:	16.4 in ²	12.75 in ²

DIMENSIONS

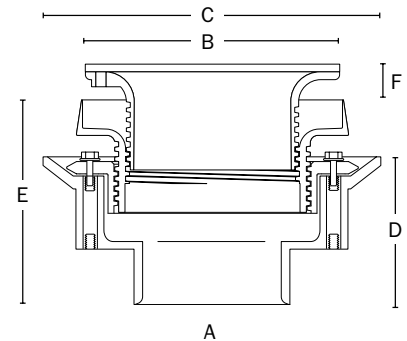
A: Connection size	2", 3", 4" Sch. 40 hub
B: Ring/strainer diameter	
Round (standard, large)	5½"
Square (standard, large)	6½"
C: Flange diameter	8½"
D: Base adapter height	
2", 3", 4" connection	3⅛", 3⅝", 4"
E: Pre-pour adjustable height*	
2", 3", 4" connection	4¼" – 6½", 4¾" – 7", 5⅛" – 7¾"
F: Post-pour adjustable height	
Round	0" – 1¼"
Square	⅝" – 1¼"

* Max height noted with inverted flashing collar

ITEM # SUBMITTED	_____
JOB NAME	_____
LOCATION	_____
ENGINEER	_____
CONTRACTOR	_____
PO#	_____ TAG _____



833-35PNQ



Create Item Number

833-ABCD

e.g. 833-35PNQ: FinishLine™ 3" Sch. 40 hub adjustable flashing drain with square nickel-bronze ring and strainer

CONNECTION A

2 = 2" connection, large top
 25 = 2" connection, standard top
 3 = 3" connection, large top
 35 = 3" connection, standard top
 4 = 4" connection, large top

CONNECTION SIZE/TOP SIZE B

A = ABS Sch. 40 hub
 P = PVC Sch. 40 hub

RING/STRAINER TYPE C

NR = Round nickel-bronze
 SR = Round stainless steel
 NQ = Square nickel-bronze
 SQ = Square stainless steel

INSTALLED OPTIONS D

V = Vandal-resistant strainer screws
 B = Complies with Buy American Act¹
 E = 1¼" extended strainer rim¹
 H = Hinged strainer²

ACCESSORIES

832-S3 = Leveling shim kit for standard top
 832-S4 = Leveling shim kit for large top
 832-UM = Stainless mesh debris bucket for large top
 832-W = Flexible locating bristles kit
 832-EX3 = Ductile extension adapter for standard top³
 832-EX4 = Ductile extension adapter for large top³
 863-FN = Round nickel-bronze condensate funnel
 863-FNO = Oval nickel-bronze condensate funnel
 863-FA = Round aluminum condensate funnel

¹ Available for round nickel-bronze strainers only

² Available for large top only

³ Extends head 2" (min) to 4" (max) above coring sleeve