

CLEVIS HANGER

» 515 SERIES

SPECIFICATION

Sioux Chief 515 series clevis hangers shall be used where necessary to suspend piping overhead using 3/8" threaded rod and in accordance with national code requirements on light commercial applications. Hanger shall comply with MSS-SP58 Type 1 and WWH-171E Type 12.

MATERIALS

515-GPK2: galvanized steel
515-CPK2: copper-plated steel

SAFE WORKING LOAD

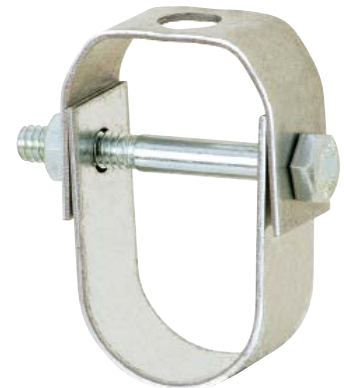
Recorded in pounds (lbs.)

	1/2"	3/4"	1"	1 1/4"	1 1/2"	2"	2 1/2"	3"	4"
Galvanized (IPS)	150	200	200	200	200	250	300	300	350
Copper-plated (CTS)	150	150	150	150	200	250	-	-	-

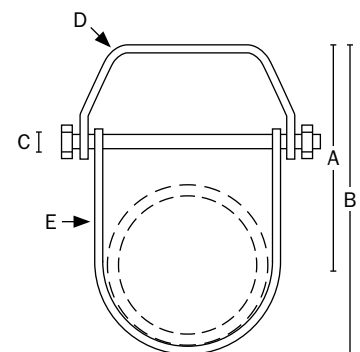
DIMENSIONS

	1/2"	3/4"	1"	1 1/4"	1 1/2"	2"	2 1/2"	3"	4"
Galvanized									
A: Center line	1.5"	1.8"	2.2"	2.5"	2.8"	2.8"	3.8"	4.0"	4.7"
B: Height	2.0"	2.3"	2.8"	3.7"	4.0"	4.5"	6.0"	6.5"	7.0"
C: Bolt size	1/4"	1/4"	1/4"	1/4"	1/4"	1/4"	1/4"	1/4"	5/16"
D: Top									
Thickness	16 ga.	16 ga.	16 ga.	16 ga.	16 ga.	14 ga.	12 ga.	12 ga.	11 ga.
Width	0.75"	0.75"	1"	1"	1"	1"	1"	1"	1 1/4"
E: Bottom									
Thickness	18 ga.	18 ga.	18 ga.	16 ga.	16 ga.	16 ga.	14 ga.	14 ga.	14 ga.
Width	0.75"	0.75"	1"	1"	1"	1"	1"	1"	1 1/4"
Copper-plated									
A: Center line	1.5"	1.5"	1.8"	2.2"	2.5"	3.0"			
B: Height	2.0"	2.0"	2.3"	2.8"	3.7"	4.2"			
C: Bolt size	1/4"	1/4"	1/4"	1/4"	1/4"	1/4"			
D: Top									
Thickness	16 ga.	16 ga.	16 ga.	16 ga.	16 ga.	14 ga.			
Width	0.75"	0.75"	0.75"	1"	1"	1"			
E: Bottom									
Thickness	18 ga.	16 ga.	16 ga.	16 ga.	16 ga.	14 ga.			
Width	0.75"	0.75"	0.75"	1"	1"	1"			

ITEM # SUBMITTED	_____
JOB NAME	_____
LOCATION	_____
ENGINEER	_____
CONTRACTOR	_____
PO#	_____ TAG _____



515-2GPK2



Made in USA

Create Item Number

515-AB

e.g. **515-3GPK2:** clevis hanger for 3/4" IPS pipe.

TUBE/PIPE SIZE A

2 = 1/2"	7 = 2"
3 = 3/4"	8 = 2 1/2"*
4 = 1"	9 = 3"*
5 = 1 1/4"	10 = 4"*
6 = 1 1/2"	

FINISH B

GPK2 = galvanized (IPS)
CPK2 = copper-plated (CTS)

*Not available copper-plated