

WD-01 NATURAL EDGE HARDWOOD COUNTERTOP SLABS

© 2008 STONE FOREST, INC.

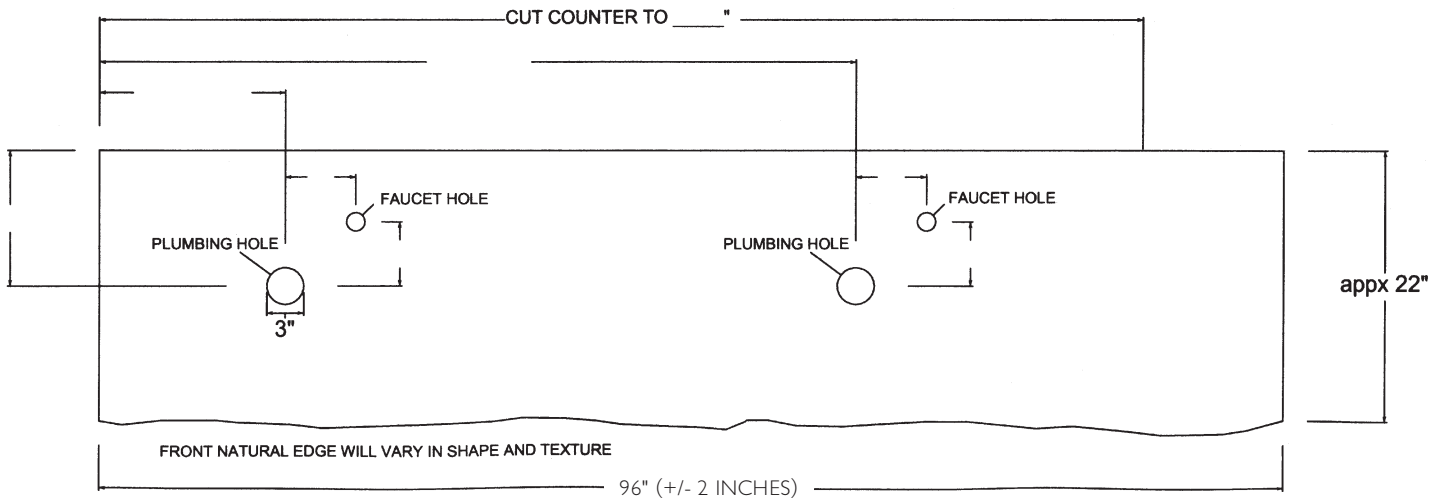
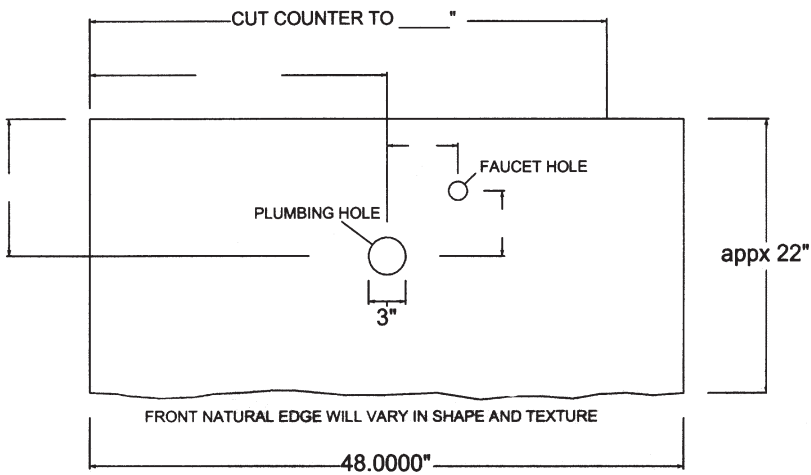
CUT AND DRILL SPECIFICATION SHEET.
PLEASE FAX BACK WITH YOUR ORDER.

COMPANY _____

P.O. # _____

#WD-01 NATURAL EDGE HARDWOOD
COUNTERTOP SLAB 22" D X 2" THICK
(+/- 1/4 INCH) AVAILABLE IN 48"
OR 96" (+/- 2 INCHES) LENGTHS.
INCLUDES DECORATIVE SUPPORT BRACKETS.

FILL IN ALL DIMENSIONS REQUIRED.
IF CUTTING OR DRILLING IS NOT REQUIRED,
PLEASE MARK DIMENSION WITH 'N/A'
STONE FOREST CANNOT BE RESPONSIBLE
FOR INACCURATE DIMENSIONS SUPPLIED



STONE
FOREST