

# SPEAKMAN® SEF-9200-ILR

## Eyesaver® Eyewash/Drench Hose Attachment

### EYEWASH FEATURES:

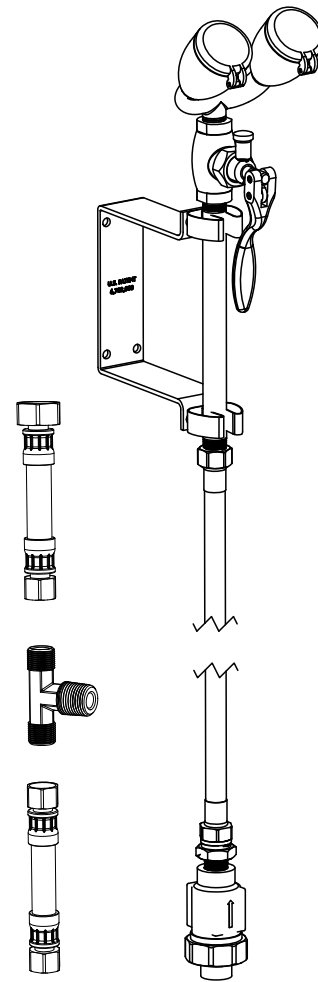
- Connects to a faucet's cold water supply line.
- 6 ft. stainless steel supply hose
- Activated by squeeze valve with automatic stay open device
- (2) yellow plastic spray heads
- 3.06 gpm @ 30 psi performance (eyewash only)
- Integral vacuum breaker.

### COMPLIANCE:

- ANSI/ISEA Z358.1 certified

### WARRANTY:

- 3 year limited



**DIMENSIONS:** NOTE: 1. All dimensions are in inches (millimeters) unless otherwise specified and are subject to change without notice.

