

## Eyesaver® Laboratory Spout with Integrated Eyewash

### MODELS:

- SEF-1000: Laboratory Spout w/ Integrated Eyewash
- SEF-1000-8: Laboratory Spout w/ Integrated Eyewash and 8 in. Spout

### EYEWASH FEATURES:

- Independent water channel for eyewash
- Single lever cartridge
- Lift handle activation
- (2) Dedicated Optimus® aerated eyewash sprays with flip top dust cap
- 2.4 GPM (9.0 L/min) max flow rate
- Inlet supply 3/8" compression male

### FAUCET FEATURES:

- Low-lead brass construction
- Swivel spout positioning up to 100 degrees
- 1.2 GPM (4.5 L/min) flow rate
- Inlet supply 3/8" compression female
- Corrosion resistant finish

### EYEWASH ADD-ONS:

- A-SEF-NA: Non-aerated eyewash outlets
- SEF-TW: Thermostatic mixing valve for tepid water during eyewash usage

### FAUCET ADD-ONS:

- 8: 8" Gooseneck spout for faucet
- A-SEF-BOLF: 0.5 GPM (1.89 L/min) faucet flow control and 1.5 GPM (5.7 L/min) laminar faucet flow control kit
- A-SEF-ST: Serrated tip for faucet with vacuum breaker (Not NSF 61/372 compliant)

### STANDARDS:

- ANSI/ISEA Z358.1 certified
- ASME A112.18.1/CSA B125.1 certified
- IGC 272 certified
- NSF/ANSI 61 certified
- NSF/ANSI 372 certified

### WARRANTY:

Visit [www.speakman.com](http://www.speakman.com) for full product warranty information

- 3 Year Limited Warranty (commercial)



Information continues on next page

**ENSURE YOU ARE ANSI/ISEA Z358.1  
Tepid Water Compliant**  
by incorporating Speakman's 9.7 GPM  
Thermostatic Mixing Valve.



- **STW-370:** Thermostatic Mixing Valve (valve only)
- **SEF-TW:** Thermostatic Mixing Valve with necessary connections for SEF products

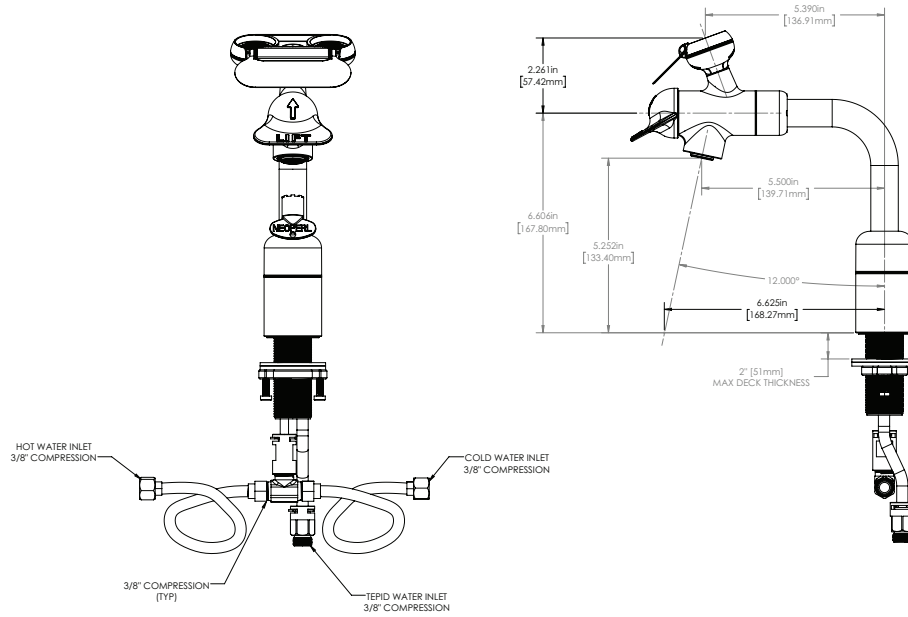
All dimensions are in inches (millimeters) unless otherwise specified and are subject to change without notice.

Architect/Engineer Approval Space:

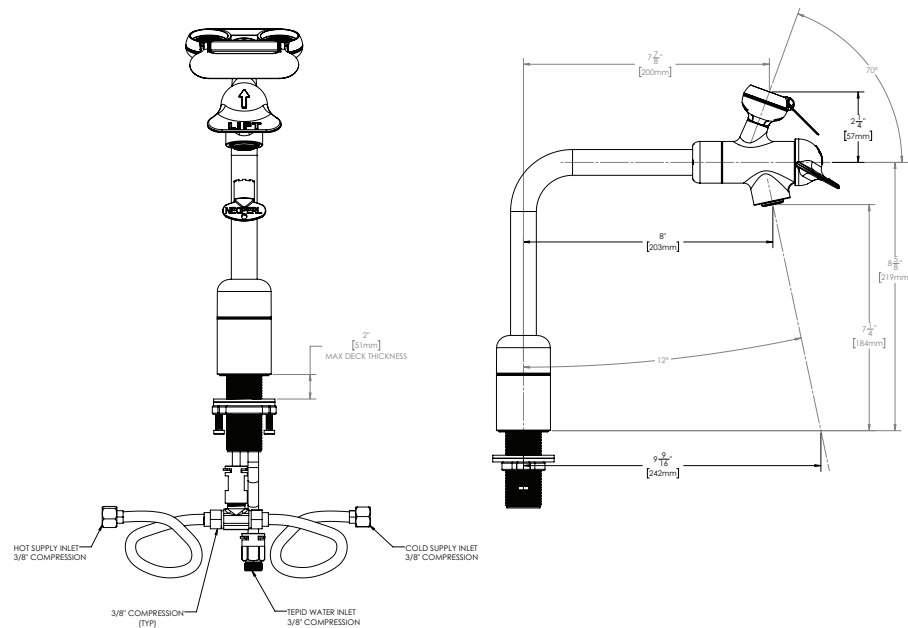
P: 800-537-2107  
F: 800-977-2747  
W: [WWW.SPEAKMAN.COM](http://WWW.SPEAKMAN.COM)  
R: 03-NOVEMBER 2019

## Eyesaver® Laboratory Spout with Integrated Eyewash

SEF-1000



SEF-1000-8



SEF-1000 Spray Plume Length and Flow

Flowing Pressure	30 psi	40 psi	50 psi	60 psi	70 psi	80 psi
	2.07 Bar	2.76 Bar	3.45 Bar	4.14 Bar	4.83 Bar	5.52 Bar
Flow Rate	1.9 gpm	2.1 gpm	2.2 gpm	2.1 gpm	2.2 gpm	2.3 gpm
	7.2 L/min	7.9 L/min	8.3 L/min	7.9 L/min	8.3 L/min	8.7 L/min
Eyewash Distance	9.5"	10.5"	10.65"	10.5"	11"	11.5"
Plume "A"	24.13 cm	26.67 cm	27.31 cm	26.67 cm	27.94 cm	29.21 cm

SEF-1000-8 Spray Plume Length and Flow

Flowing Pressure	30 psi	40 psi	50 psi	60 psi	70 psi	80 psi
	2.07 Bar	2.76 Bar	3.45 Bar	4.14 Bar	4.83 Bar	5.52 Bar
Flow Rate	1.76 gpm	2.03 gpm	2.18 gpm	2.1 gpm	2.1 gpm	2.2 gpm
	6.7 L/min	7.7 L/min	8.3 L/min	7.9 L/min	7.9 L/min	8.3 L/min
Eyewash Distance	11.5"	13.0"	14.0"	13.0"	13.5"	13.75"
Plume "A"	29.21 cm	33.02 cm	35.56 cm	33.02 cm	34.29 cm	34.93 cm

NOTE: If plume heights are low, check to ensure that your supply valves are fully open. If there is a noticeable height difference between the two plumes, remove the aerators and flow controls and remove any debris that would inhibit the flow of water.

All dimensions are in inches (millimeters) unless otherwise specified and are subject to change without notice.

Architect/Engineer Approval Space:

P: 800-537-2107  
 F: 800-977-2747  
 W: WWW.SPEAKMAN.COM  
 R: 03-NOVEMBER 2019