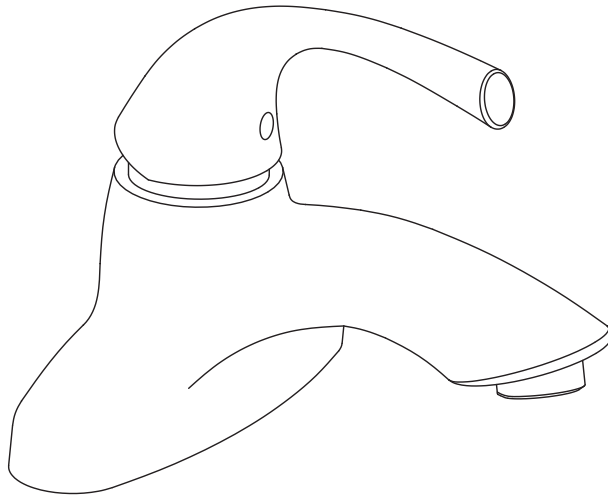


SPEAKMAN®

Rive™ Single Lever Faucet

SB-2111

SPECIFICATION



FEATURES:

- Lead-free brass construction
- Ceramic cartridge
- Transitional Styling
- Includes Pop-up Drain
- 1.5 gpm (5.7 L/min) flow rate

COMPLIANCE:

- ASME A112.18.1/CSA B125.1 certified
- NSF 61 certified
- WaterSense Certified
- NSF 372 Compliant
- ADA compliant



FINISHES:

ADD SUFFIX TO MODEL #

- Polished Chrome (standard)
- Brushed Nickel -BN

WARRANTY:

- Limited Lifetime Warranty (consumer use)
- 5 Year Limited (commercial use)

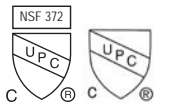
SEE REVERSE FOR ROUGH-IN DIMENSIONS

THIS SPACE FOR ARCHITECT/ENGINEER APPROVAL.

SPEAKMAN®

400 ANCHOR MILL ROAD | NEW CASTLE, DE 19720
P: 800-537-2107 | F: 800-977-2747
WWW.SPEAKMANCOMPANY.COM

REVISION DATE: DECEMBER 2014

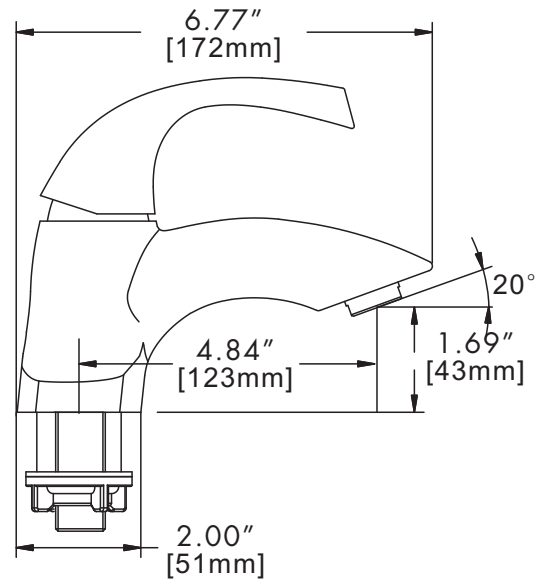
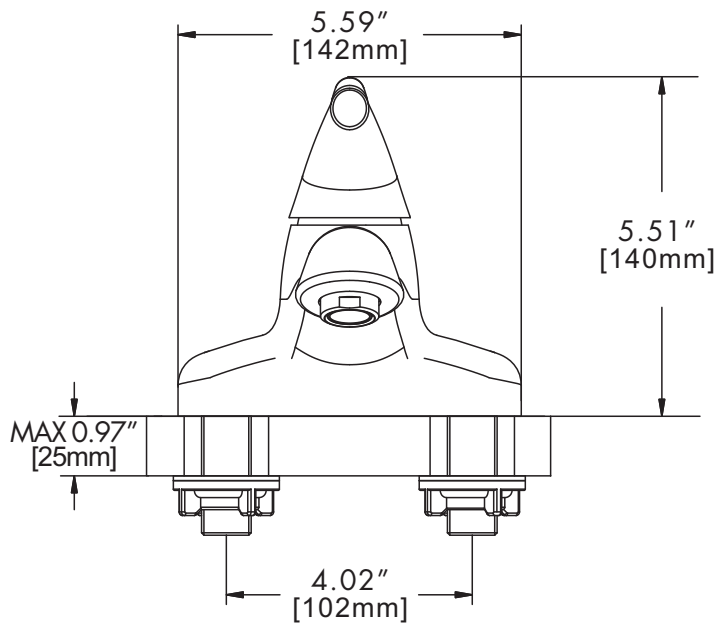


Management Systems
Registered to ISO 9001

SPEAKMAN®

Rive™ Single Lever Faucet SB-2111

SPECIFICATION



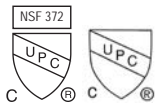
NOTE: 1. All dimensions are in inches (millimeters) unless otherwise specified and are subject to change without notice.

THIS SPACE FOR ARCHITECT/ENGINEER APPROVAL.

SPEAKMAN®

400 ANCHOR MILL ROAD | NEW CASTLE, DE 19720
P: 800-537-2107 | F: 800-977-2747
WWW.SPEAKMANCOMPANY.COM

REVISION DATE: DECEMBER 2014



Management Systems
Registered to ISO 9001