

Eyesaver® Battery Powered Sensor Eyewash

MODELS:

- SEF-18100: Eyesaver® Battery Powered Sensor Eyewash
- SEF-18100-8: Eyesaver® Battery Powered Sensor Eyewash w/ 8 in. Spout

EYEWASH FEATURES:

- Independent water channel for eyewash
- Brass Spindle Valve
- Lift handle activation
- (2) Dedicated Optimus® aerated eyewash sprays with flip top dust caps
- 2.0 GPM (7.6 L/min) @ 30 PSI flow rate
- 1/2" NPT male inlet

FAUCET FEATURES:

- Low-lead brass construction
- Sensor eye integrated into front of faucet body for easy activation
- Battery powered Sensor- required 6 AA batteries (included)
- Solenoid life exceeds 2.7 million cycles
- 1.2 GPM (4.5 L/min) flow rate
- Inlet supply 3/8" compression with male threads

OPTIONS/ADD ONS:

- A-SEF-NA: Non-aerated eyewash outlets
- SEF-TW: Thermostatic Mixing Valve for tepid water during eyewash usage
- 8: 8" Gooseneck spout for faucet
- A-SEF-BOLF: 0.5 GPM (1.89 L/min) faucet flow control and 1.5 GPM (5.7 L/min) laminar faucet flow control kit
- A-SEF-ST: Serrated tip for faucet with vacuum breaker (Not NSF 61/372 compliant)
- A-TMV: Thermostatic mixing valve for tepid water during faucet usage

STANDARDS:

- ANSI/ISEA Z358.1 certified
- ASME A112.18.1/CSA B125.1 certified
- IGC 272 certified
- NSF/ANSI 61 certified
- NSF/ANSI 372 certified

WARRANTY:

Visit www.speakman.com for full product warranty information

- 3 Year Limited Warranty (commercial)



Information continues on next page

**ENSURE YOU ARE ANSI/ISEA Z358.1
Tepid Water Compliant
by incorporating Speakman's 9.7 GPM
Thermostatic Mixing Valve.**



- **STW-370:** Thermostatic Mixing Valve (valve only)
- **SEF-TW:** Thermostatic Mixing Valve with necessary connections for SEF products

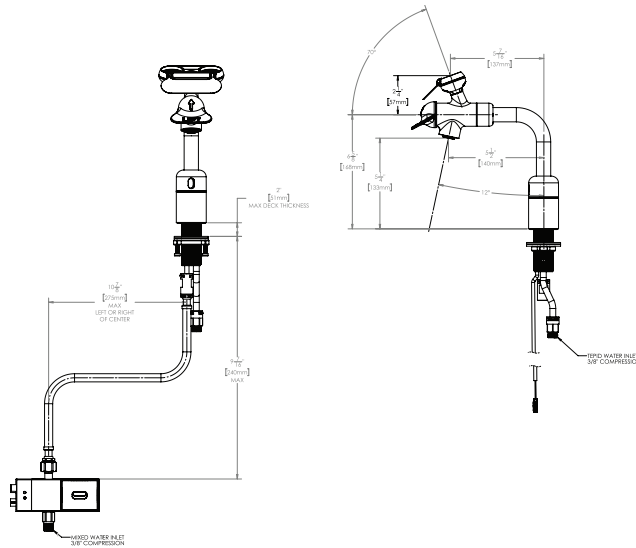
All dimensions are in inches (millimeters) unless otherwise specified and are subject to change without notice.

Architect/Engineer Approval Space:

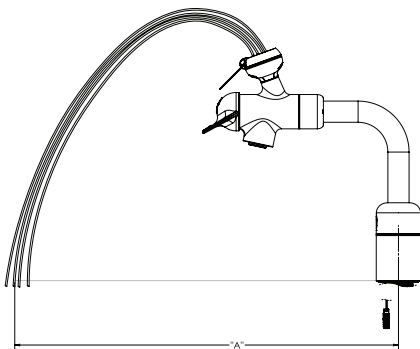
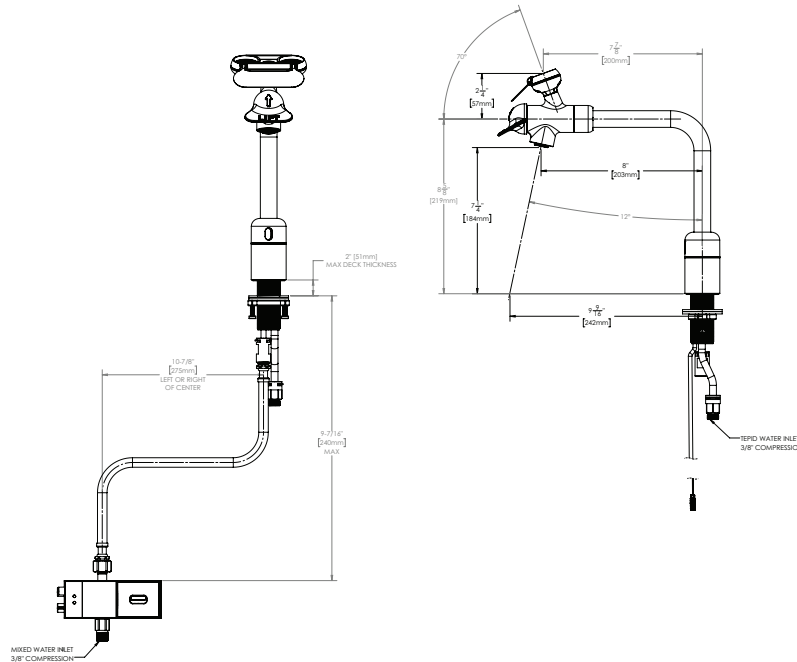
P: 800-537-2107
F: 800-977-2747
W: WWW.SPEAKMAN.COM
R: 02-NOVEMBER 2019

Eyesaver® Battery Powered Sensor Eyewash

SEF-18100



SEF-18100-8



SEF-18100 Spray Plume Length and Flow

Flowing Pressure	30 psi	40 psi	50 psi	60 psi	70 psi	80 psi
	2.07 Bar	2.76 Bar	3.45 Bar	4.14 Bar	4.83 Bar	5.52 Bar
Flow Rate	1.9 gpm	2.1 gpm	2.2 gpm	2.1 gpm	2.2 gpm	2.3 gpm
	7.2 L/min	7.9 L/min	8.3 L/min	7.9 L/min	8.3 L/min	8.7 L/min
Eyewash Distance Plume "A"	9.5"	10.5"	10.65"	10.5"	11"	11.5"
	24.13 cm	26.67 cm	27.31 cm	26.67 cm	27.94 cm	29.21 cm

SEF-18100-8 Spray Plume Length and Flow

Flowing Pressure	30 psi	40 psi	50 psi	60 psi	70 psi	80 psi
	2.07 Bar	2.76 Bar	3.45 Bar	4.14 Bar	4.83 Bar	5.52 Bar
Flow Rate	1.76 gpm	2.03 gpm	2.18 gpm	2.1 gpm	2.2 gpm	2.3 gpm
	6.7 L/min	7.7 L/min	8.3 L/min	7.9 L/min	7.9 L/min	8.3 L/min
Eyewash Distance Plume "A"	11.5"	13.0"	14.0"	13.0"	13.5"	13.75"
	29.21 cm	33.02 cm	35.56 cm	33.02 cm	34.29 cm	34.93 cm

All dimensions are in inches (millimeters) unless otherwise specified and are subject to change without notice.

Architect/Engineer Approval Space:

P: 800-537-2107
 F: 800-977-2747
 W: WWW.SPEAKMAN.COM
 R: 02-NOVEMBER 2019