

Kubos™ Shower Head

MODELS:

- S-3021: 2.5 GPM (9.5 L/min) flow rate
- S-3021-E2: 2.0 GPM (7.6 L/min) flow rate
- S-3021-E175: 1.75 GPM (6.6 L/min) flow rate

FEATURES:

- 5 plungers with 45 sprays, 12 massage jets, 3 spray patterns
- Patented Anystream® plungers resist scale build-up
- Spray adjusting faceplate
- Plastic body construction, with brass ball nut
- 1/2" -14 NPTF female inlet
- Corrosion resistant finishes
- Coordinates with Kubos Collection

STOCK FINISHES:



PC BN

SPECIALTY FINISHES:



BBZ MB ORB PB PN

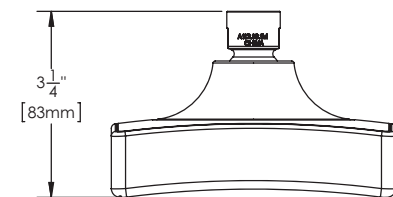
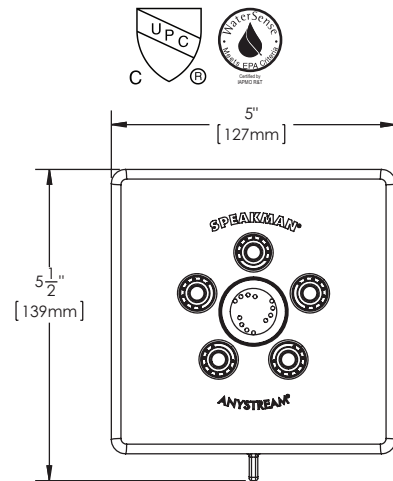
STANDARDS:

- ASME A112.18.1/CSA B125.1 certified
- CEC (CA Energy Commission) certified, 1.75 GPM only
- WaterSense certified, 2.0 & 1.75 GPM only

WARRANTY:

Visit www.speakman.com for full product warranty information

- Limited Lifetime Warranty (consumer)
- 1 Year Limited Warranty (commercial)



All dimensions are in inches (millimeters) unless otherwise specified and are subject to change without notice.

Architect/Engineer Approval Space:

P: 800-537-2107
 F: 800-977-2747
 W: WWW.SPEAKMAN.COM
 R: 02-OCTOBER 2018