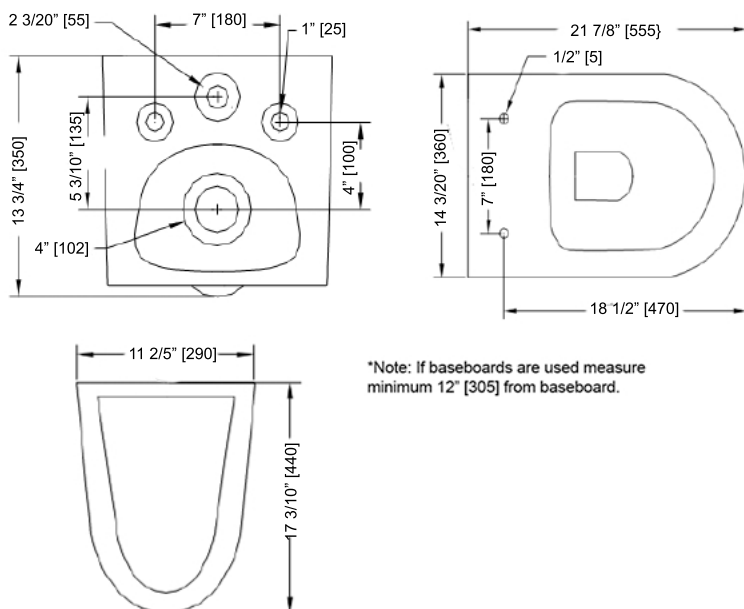




STUDIOLUX

SLT700

WALL HUNG TOILET



*Note: If baseboards are used measure minimum 12\" [305] from baseboard.



FEATURES

Dimensions	L 21 7/8" x W 14 3/20"x H 13 3/4"
Weight	60 lbs (27 kg)
Material Finish	Vitreous China
Color	White
Water Consumption	Dual Flush 1.6/1.1 GPF (6.1/ LPF)
Configuration	Elongated Bowl Shape ADA Height Toilet Bowl

CODES/STANDARDS

ASME A112.19.2-2013/CSA B45.1-13, ASSE 1002
Dual flush PREMIUM High-Efficiency toilet (HET)
MAP RATING HIGHLY RECOMMENDED FLUSH PERFORMANCE
EPA WaterSense®

DETAILS

Rich with soft angles and full curves, the SLT700 Wall Hung Toilet epitomizes a balanced union between modern and classic design. The SLT700 Wall Hung Toilet includes, a 1.6/1.1 GPF (6.1/4 LPF) dual flush, ADA height bowl, elongated bowl shape, and is protected with an Easy Clean glaze for easy lifetime maintenance.

All drawings contain the necessary measurements which are subject to standard tolerances. They are stated in inches and are non-binding. Exact measurements in particular for customized installation scenarios