

**CODE NUMBER**

3782646

**DESCRIPTION**

0.5 gpf, Dual-Filtered Fixed Bypass Diaphragm, Polished Chrome Finish, Single Flush, Battery, Sloan® Exposed Sensor Urinal Flushometer.

**DETAILS**

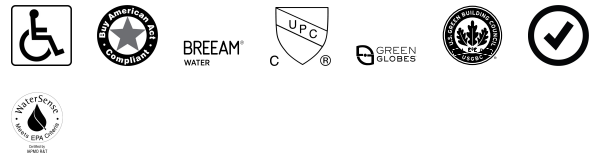
- Flush Volume: 0.5 gpf (1.9 Lpf)
- Finish: Polished Chrome (CP)
- Power Type: Battery
- Battery Life: 3 years
- Valve: Diaphragm
- Bypass: Dual-Filtered Fixed Bypass Diaphragm (DFB)
- Valve Body Material: Semi-red Brass
- Fixture Type: Urinal
- Fixture Connection: Top spud
- Rough-In Dimension: 11 ½" (292mm)
- Spud Coupling: ¾" (19mm)
- Supply Pipe: ¾" (19mm)

**FEATURES**

- PERMEX® Synthetic Rubber Diaphragm with Dual Filtered Fixed Bypass
- Non-Hold-Open Handle, Fixed Metering Bypass and No External Volume Adjustment to Ensure Water Conservation
- "User in View" Flashing LED
- Sweat Solder Adapter w/Cover Tube and Cast Wall Flange w/Set Screw
- Optima SMOOTH Unit
- Sensor with Automatic Range Adjustment
- Mechanical Manual Override Flush Handle
- ADA Compliant Metal Oscillating Non-Hold-Open Handle
- 3/4" I.P.S. Wheel Handle Bak-Chek® Angle Stop
- Diaphragm, Stop Seat and Vacuum Breaker to be molded from PERMEX® rubber compound for Chloramine resistance
- ADA Compliant OPTIMA® SMOOTH® Battery Powered Infrared Sensor for automatic "Hands-free" operation



**COMPLIANCES & CERTIFICATIONS**



(ADA Compliant, BAA Compliant, BREEAM Water Credit, cUPC Certified, Green Globes Water Credit, LEED V4 Water Efficiency Credit, Satisfies LEED Credits, WaterSense Listed)

**RECOMMENDED SPECIFICATION**

Valve Body, Cover, Tailpiece and Control Stop shall be in conformance with ASTM Alloy Classification for Semi- Red Brass. Valve shall be in compliance with the applicable sections of ASSE 1037 and ANSI/ASME 112.19.2.

**ELECTRICAL SPECIFICATIONS**

- Battery Life: 3 years

**VALVE OPERATING PRESSURE (FLOWING)**

PSI (0 kPa). Specific fixtures may require greater minimum flowing pressure - consult manufacturer requirements.

**DOWNLOADS**

- [Sloan Exposed Installation Instructions](#)
- [Sloan Exposed \(Spanish\) Installation Instructions](#)
- [EBV 200 Installation Instructions](#)
- [EL 600-A Installation Instructions](#)
- [Control Stop Repair and Maintenance Guide](#)
- [Flush Connections Flanges Repair and Maintenance Guide](#)
- [Tail Piece Repair and Maintenance Guide](#)
- [Sloan Flushometer Repair and Maintenance Guide](#)
- [Additional Downloads](#)

**NOTES**

All information contained within this document subject to change without notice.

Looking for other variations of the SLOAN 186 SMOOTH product? [View the general spec sheet with all options.](#)

**Sloan 10500 Seymour Ave, Franklin Park, IL 60131**

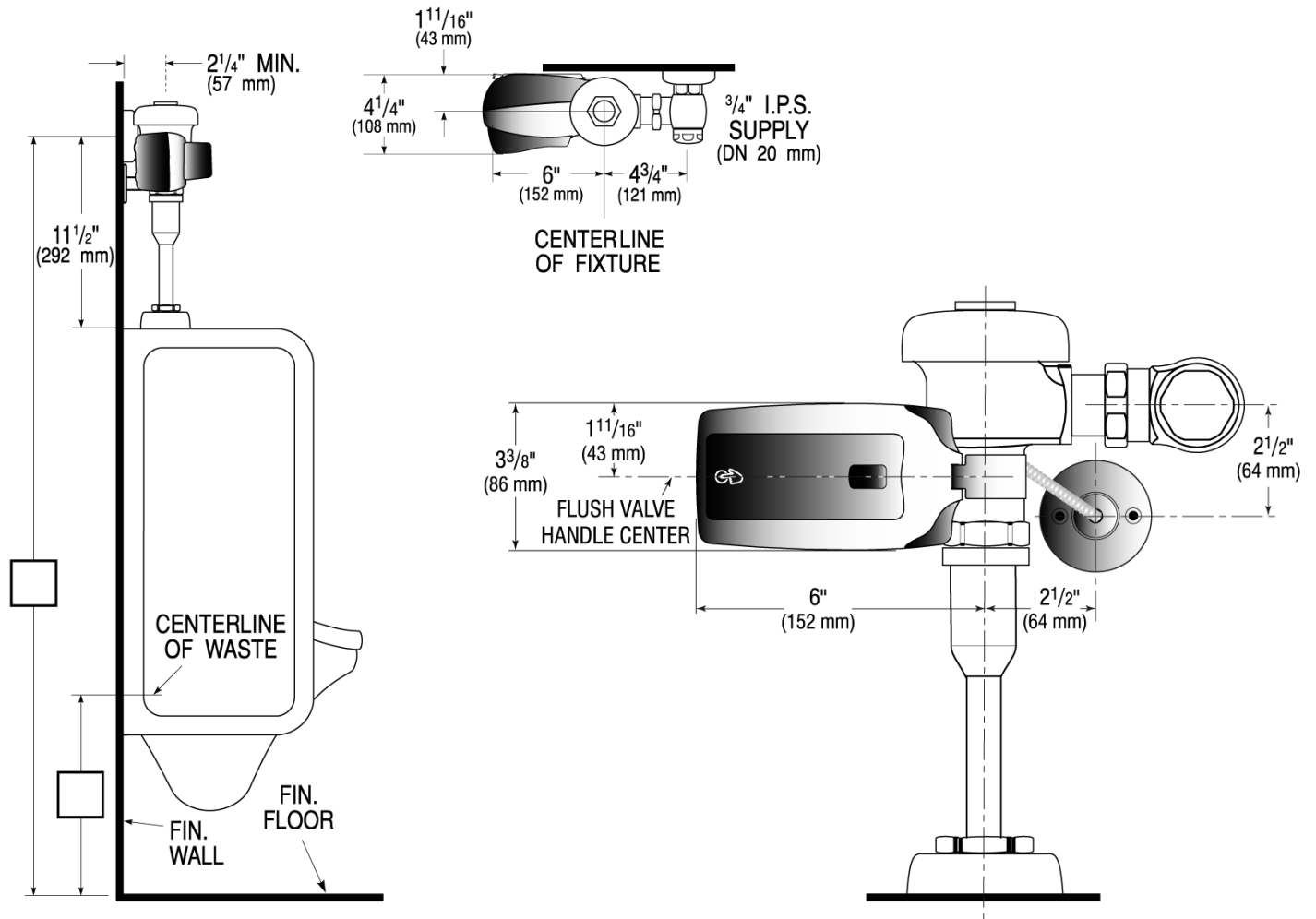
Phone: 800.982.5839 • Fax: 800.447.8329 • [sloan.com](http://sloan.com)

Find a compatible urinal for this flushometer.

Find a compatible water closet for this flushometer.

Watersense compliant when used with a WaterSense compliant fixture

**ROUGH-IN**



Sloan 10500 Seymour Ave, Franklin Park, IL 60131

Phone: 800.982.5839 • Fax: 800.447.8329 • [sloan.com](http://sloan.com)