

# Premix Flexbox

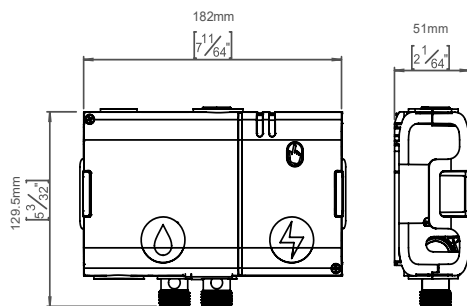
## Qtoo collection

**Product** Flexbox with premix solenoid valve

**Tender text** QTOO collection, Flexbox with premix solenoid valve for sensor range.



**Product specification** Temperature control  
 Comfort time out 2 sec.  
 Security time out 30 sec.  
 Automatic rinse cycle (deactivated)  
 Max. work pressure 8 bar  
[1 year warranty for electronic parts](#)  
 Minimum requirement of 0,5 bar dynamic pressure



### Available finishes

**Spare parts/ accessories** QST1150 - Single hole sensor tap  
 QST3190 - Sensor tap for wall  
 QST3290 - Sensor tap for wall  
 QSP01 - Power supply

**Mounting** <https://dline.com/mounting-instructions/>

### Product care

d line products are produced in the highest quality marine grade AISI 316 stainless steel. To sustain the unique d line finish please follow the below instructions:

- Wash down the surfaces using soapy water or mild detergent
- Always thoroughly rinse off with clean water
- To complete the cleaning procedure dry/polish the surface with a soft dry cloth

Please do not use scouring powder, steel wool, chloride based detergents or other aggressive cleaning products as these may damage the surface.

If spots or corrosion appear on the surface it is not due to the stainless steel quality, but to impurities in the environment, aggressive conditions or improper or insufficient cleaning.