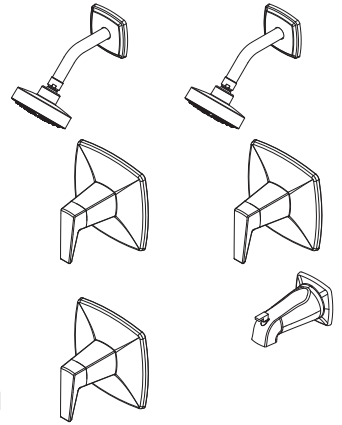


Arkitek™ Tub & Shower Trim

- R89-1LPMC Finish(C) LG89-7LPMC Finish(C)
- R89-1LPMK Finish(K) LG89-7LPMK Finish(K)
- LG89-8LPMC Finish(C)
- LG89-8LPMK Finish(K)



Specifications

- Trim Only, Valve Not Included

Features

- 1.8 GPM Flow Rate (Showerhead)
- Brass Ball Joint
- Easy To Clean Nozzles
- PVD Finish (K Finish Only)
- Tub & Shower (8LPM Only)
- Shower Only (7LPM Only)
- Valve Trim Only (1LPM Only)
- SecurePfit™ Trim with Anti Handle Wobble
- Requires OX8/JX8 Valve (Order Separately)
- Pforever Warranty®

Code Compliance

Pfister products are designed and manufactured in compliance with the following standards and codes:

- IAPMO Certified
- CSA B125 Certified
- ASME A112.18.1
- Cal Green Compliant
- CEC Compliant
- ADA Compliant-ANSI A117.1 (Lever handles only)
- EPA WaterSense Certification 1.8 gpm, 6.8L/Min



Dimensions

