

For Residential and Commercial Applications

Job Name		Engineer / Architect	
Job Location		Wholesaler	
Submittal Date		Contractor	

PLB103/112X 1/4 Turn Angle Ball Stop - Sweat x Compression

Use: For use only in potable water distribution systems, hot and cold, in accessible locations only.

Part Listing:

- PLB103X B 1/2" nom sweat x 3/8" OD compression, chrome plated, bulk
- PLB103X P 1/2" nom sweat x 3/8" OD compression, chrome plated, bagged
- PLB112X P 1/2" nom sweat w/extension tube x 3/8" OD compression w/bell escutcheon, chrome plated, bagged



STOP MATERIAL SPECIFICATIONS	
Body	<i>Brass, plated</i>
Stem	<i>Brass</i>
Ball	<i>Brass, plated</i>
Seats	<i>PTFE</i>
O-ring	<i>Rubber</i>
Handle	<i>ABS, plated</i>
Handle Screw	<i>Stainless steel</i>
Compression Nut	<i>Brass, plated</i>
Compression Sleeve	<i>Brass</i>
Adaptor	<i>Brass, plated</i>

Operating Specifications	
Temperature	Pressure
Intermittent 40°- 160° F	125 PSI maximum

This specification and all information contained herein is the confidential and exclusive property of Brasscraft Manufacturing Company and shall not be disclosed to others without the written consent of Brasscraft Mfg. Co. This specification must be returned to Brasscraft Mfg. Co. if requested.

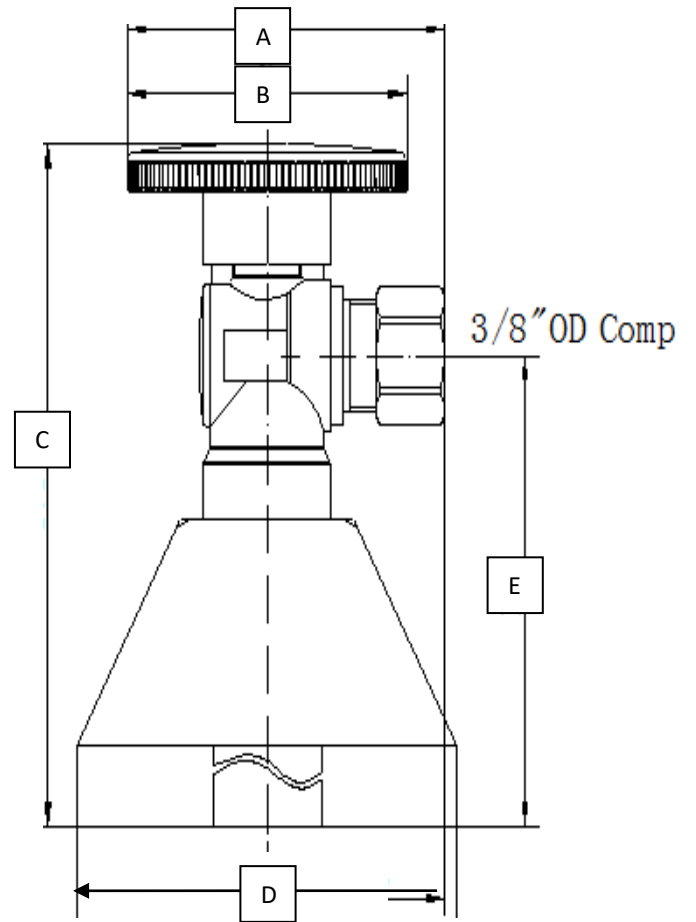
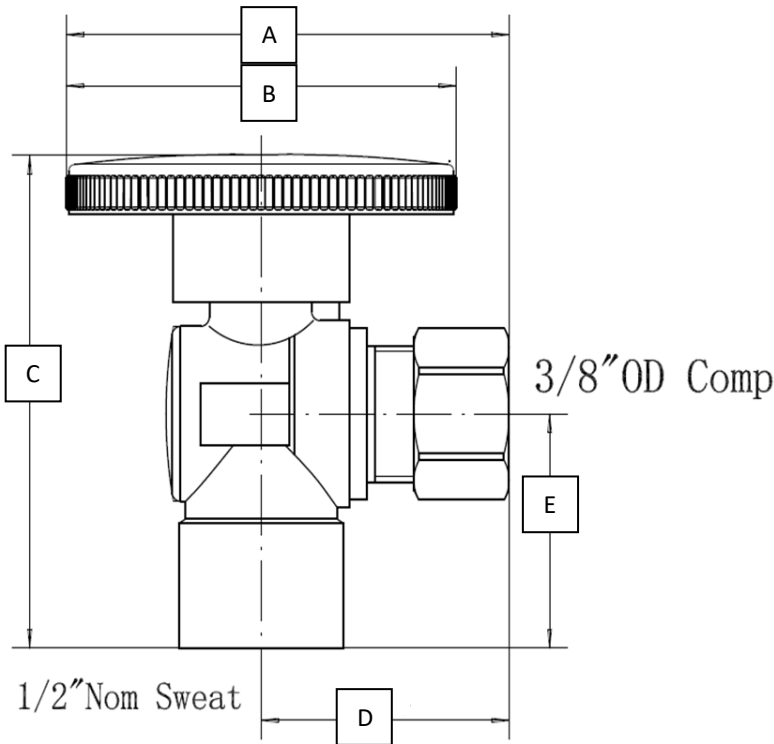
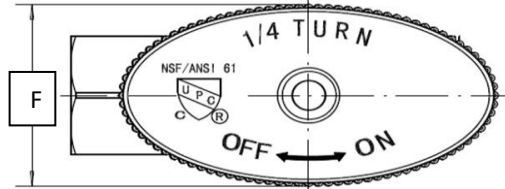
400.279 PLB103/112X 1/4 Turn Angle Ball Stop - Sweat x Comp REV 9.19

PLUMBSHOP®

©2019 Brasscraft Manufacturing Company

PLB103/112X 1/4 Turn Angle Ball Stop - Sweat x Compression

PART DIMENSIONS (Inches)						
Model	DIM. A	DIM. B	DIM. C	DIM. D	DIM. E	DIM. F
PLB103X	2.02	1.77	2.09	1.12	.96	.94
PLB112X	2.02	1.77	6.75	2.40	5.68	.96



Listings & Certifications:

- IAPMO listed to ASME A112.18.1 / CSA B125.1 (includes NSF/ANSI 372 and NSF/ANSI/CAN 61)



This specification and all information contained herein is the confidential and exclusive property of Brasscraft Manufacturing Company and shall not be disclosed to others without the written consent of Brasscraft Mfg. Co. This specification must be returned to Brasscraft Mfg. Co. if requested.

400.279 PLB103/112X 1/4 Turn Angle Ball Stop - Sweat x Comp REV 9.19

PLUMBSHOP®

©2019 Brasscraft Manufacturing Company