

For Residential and Commercial Applications

Job Name		Engineer / Architect	
Job Location		Wholesaler	
Submittal Date		Contractor	

PLB100/111/113X 1/4 Turn Angle Stop – Compression x Compression

Use: For use only in potable water distribution systems, hot and cold, in accessible locations only

Part Listing:

- | | | |
|--------------------------|-----------|---|
| <input type="checkbox"/> | PLB100X B | 1/2" nom compression x 3/8" OD compression, chrome plated, bulk |
| <input type="checkbox"/> | PLB100X P | 1/2" nom compression x 3/8" OD compression, chrome plated, bagged |
| <input type="checkbox"/> | PLB113X P | 1/2" nom compression x 3/8" OD compression w/loose key, chrome plated, bagged |
| <input type="checkbox"/> | PLB111X P | 1/2" nom compression x 1/4" OD compression, chrome plated, bagged |



STOP MATERIAL SPECIFICATIONS	
Body	<i>Brass, plated</i>
Stem	<i>Brass</i>
Ball	<i>Brass, plated</i>
Seats	<i>PTFE</i>
O-ring	<i>NBR</i>
Handle	<i>ABS, plated</i>
Handle Screw	<i>Stainless steel</i>
Compression Nut	<i>Brass, plated</i>
Compression Sleeve	<i>Brass</i>
Adaptor	<i>Brass, plated</i>

Operating Specifications	
Temperature	Pressure
Intermittent 40° - 160° F	125 PSI maximum

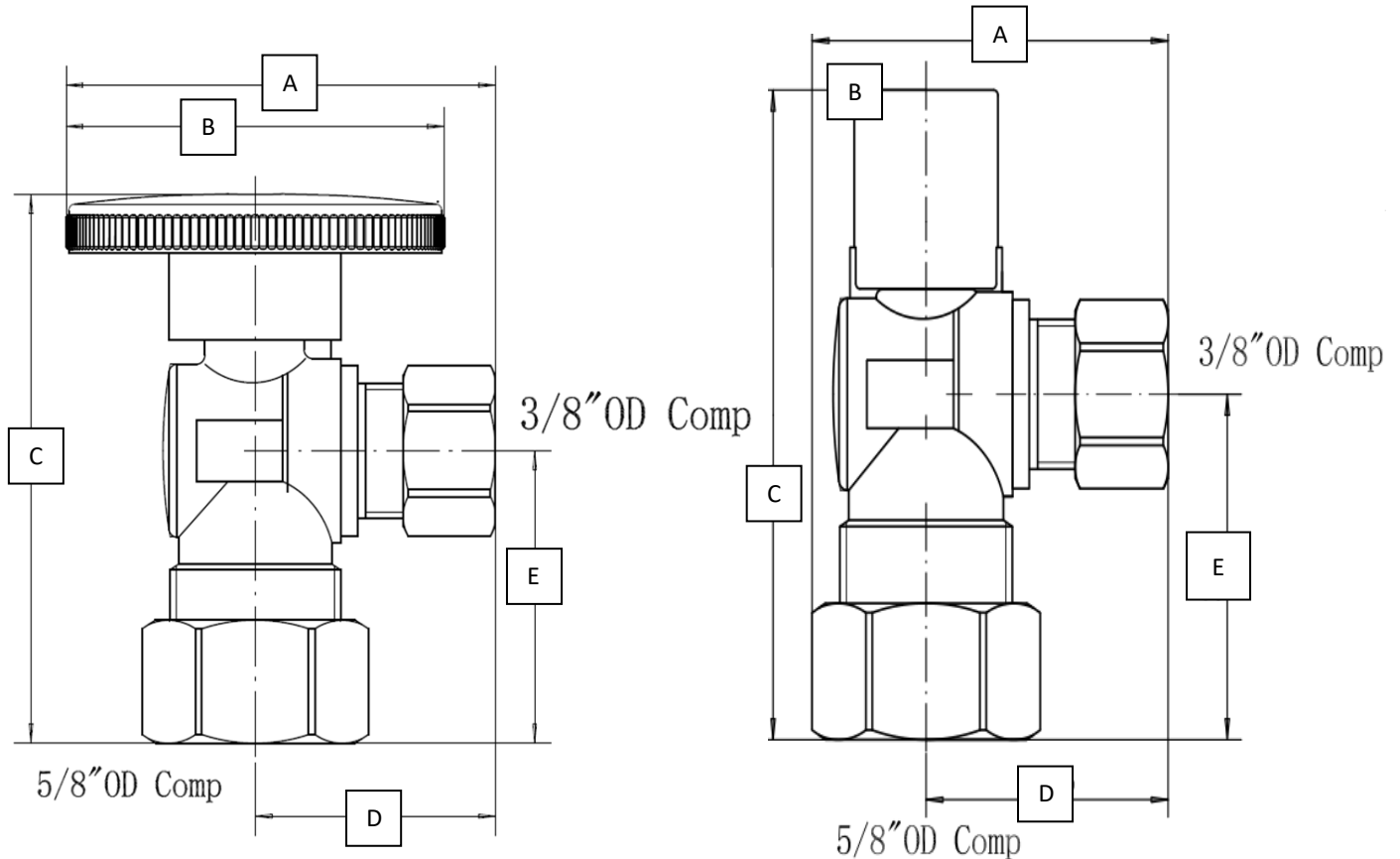
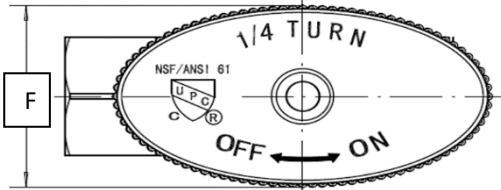
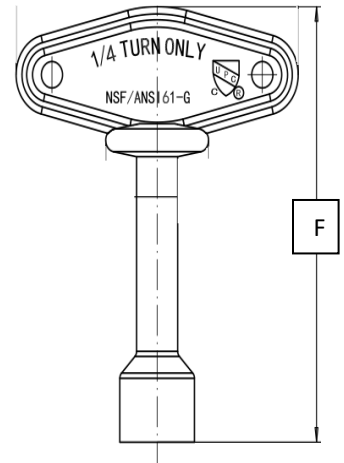
This specification and all information contained herein is the confidential and exclusive property of Brasscraft Manufacturing Company and shall not be disclosed to others without the written consent of Brasscraft Mfg. Co. This specification must be returned to Brasscraft Mfg. Co. if requested.



**PLB100/111/113X
x Compression**

1/4 Turn Angle Stop – Compression

PART DIMENSIONS (Inches)						
Model	DIM. A	DIM. B	DIM. C	DIM. D	DIM. E	DIM. F
PLB100X	2.02	1.77	2.34	1.12	1.22	.94
PLB111X	2.02	1.77	2.34	1.12	1.22	.94
PLB113X	1.63	1.12	2.44	1.12	1.22	2.35



Listings & Certifications:

- IAPMO listed to ASME A112.18.1 / CSA B125.1 (includes NSF/ANSI 372 and NSF/ANSI/CAN 61)



This specification and all information contained herein is the confidential and exclusive property of Brasscraft Manufacturing Company and shall not be disclosed to others without the written consent of Brasscraft Mfg. Co. This specification must be returned to Brasscraft Mfg. Co. if requested.