

## BATHROOM FAUCET:

- Elmhurst™ Collection
- Two Handle Centerset
- 4 Inch 3 Hole Sink Applications

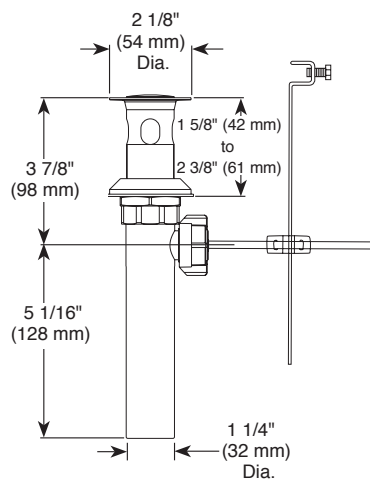
## STANDARD SPECIFICATIONS:

- Maximum 1.0 gpm @ 60 psi, 3.8 L/min @ 414 kPa
- Three hole mount
- 1/4 turn handle stops
- 1/2"-14 NPSM threaded male inlet shanks
- Ceramic cartridge
- Models have drain with 50/50 pop-up type fitting with plated flange and stopper

## WARRANTY:

- Parts and Finish - Lifetime limited warranty; or for commercial purchasers, 10 years for multi-family residential (apartments and condominiums) and 5 years for all other commercial uses, in each case from the date of purchase.

## RP38958▲ 50/50 Pop-Up



## COMPLIES WITH:

- ASME A112.18.1 / CSA B125.1
  - ASME A112.18.2 / CSA B125.2
  - EPA WaterSense®
- Indicates compliance to ICC/ANSI A117.1