



neelnox

LET
THERE
BE **DESIGN.**

FEATURES

- Premium 304 Grade Stainless Steel
- Solid Mount Construction
- Concealed Installation Hardware
- Solid End Cap provided for side opposite to the door for a seamless look



Double Door Handle

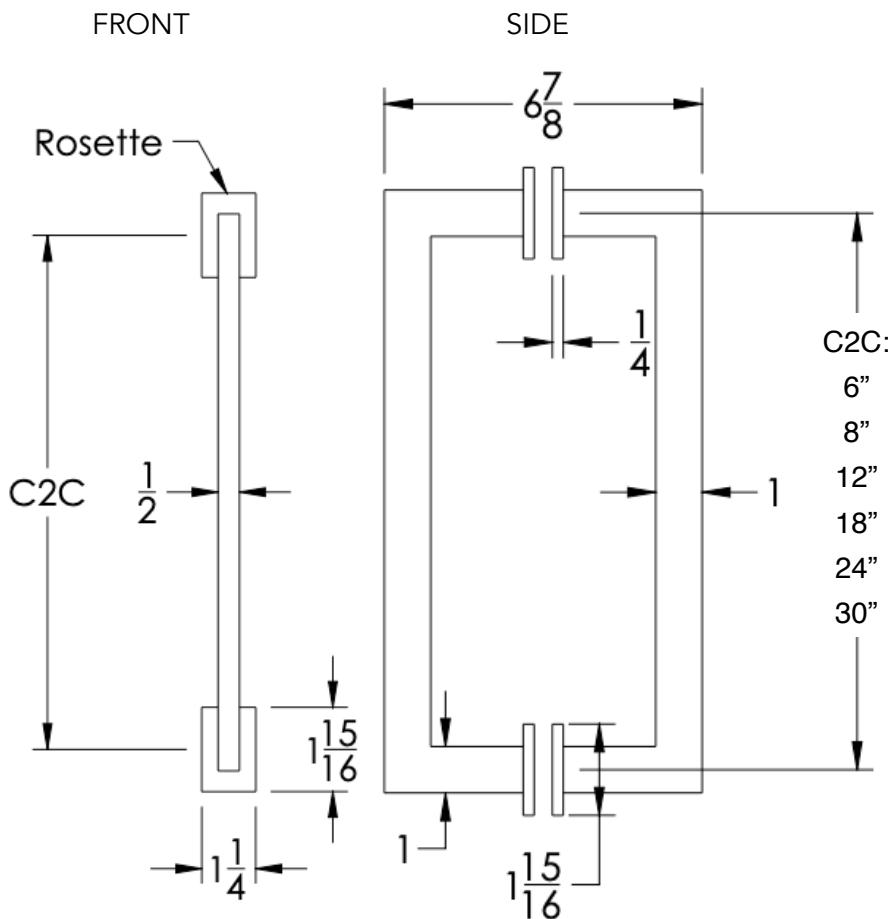
COLLECTION ARGYLE

DOUBLE DOOR HANDLE

Model	Product	Finishes Available
ARG-DSD <u>XX-XX</u> -GR	Double Door Handle	Multiple finishes available. Over 23 finishes to choose from.

FINISHES			
Polished (-P)	Antique Copper (-ACOP)	Polished Gold (-PGLD)	
Brushed (-B)	Polished Brass (-PBRS)	Brushed Copper (-BCOP)	
Brushed Gold (-BGLD)	Matte White (-WHT)	Brushed Rose Gold (-BRGD)	
Matte Black (-BLK)	Brushed Modern Bronze (-BMBRZ)	Brushed Black (-BRBLK)	
Oil Rubbed Bronze (-ORB)	Glossy White (-GWHT)	Polished Black (-PBLK)	
Brushed Brass (-BBRS)	Polished Rose Gold (-PRGD)	Antique Nickel (-ANKL)	
Brushed Bronze (-BBRZ)	Unlacquered Brass (-UBRS)	Black Nickel (-NKBL)	
Antique Brass (-ABRS)	Polished Nickel (-PNKL)		

C2C	MODEL
6"	ARG-DSD6-GR
8"	ARG-DSD8-GR
12"	ARG-DSD12-GR
18"	ARG-DSD18-GR
24"	ARG-DSD24-GR
30"	ARG-DSD30-GR



Installation Notes: Center to center hole drilling dimension are same as mentioned in column. Diameter of glass hole for installation is $\frac{1}{2}$ ".

Standard hardware supplied can accommodate glass thicknesses $\frac{1}{4}$ " to $\frac{1}{2}$ ". Please contact us for custom hardware in case glass thickness exceeds $\frac{1}{2}$ ".

Dimensions in inches

NOTE: Dimensions subject to change without notice.