



# neelnox

LET  
THERE  
BE **DESIGN.**

## FEATURES

- Premium 304 Grade Stainless Steel
- Solid Mount Construction
- Concealed Installation Hardware
- Solid End Cap provided for side opposite to the door for a seamless look



No Rosette



Medium Rosette



Single Door Handle  
with Knob shown  
with a medium Rosette

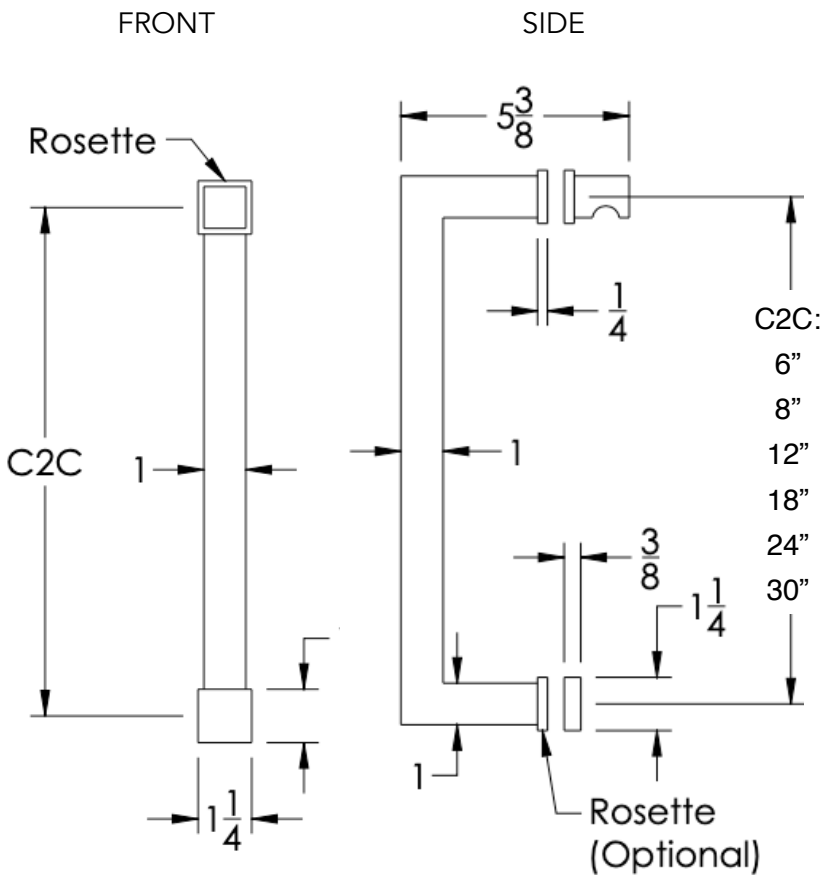
## COLLECTION UNIVERSAL A

### SINGLE DOOR HANDLE WITH KNOB

Model	Product	Finishes Available
UNI-SDKNA <u>XX-XX</u>	Single Door Handle With Knob	Multiple finishes available. Over 23 finishes to choose from.

FINISHES			
Polished (-P)	Antique Copper (-ACOP)	Polished Gold (-PGLD)	
Brushed (-B)	Polished Brass (-PBRS)	Brushed Copper (-BCOP)	
Brushed Gold (-BGLD)	Matte White (-WHT)	Brushed Rose Gold (-BRGD)	
Matte Black (-BLK)	Brushed Modern Bronze (-BMBRZ)	Brushed Black (-BRBLK)	
Oil Rubbed Bronze (-ORB)	Glossy White (-GWHT)	Polished Black (-PBLK)	
Brushed Brass (-BBRS)	Polished Rose Gold (-PRGD)	Antique Nickel (-ANKL)	
Brushed Bronze (-BBRZ)	Unlacquered Brass (-UBRS)	Black Nickel (-NKBL)	
Antique Brass (-ABRS)	Polished Nickel (-PNKL)		

C2C	No Rosette	Medium Rosette
6"	UNI-SDKNA6-NR	UNI-SDKNA6-MR
8"	UNI-SDKNA8-NR	UNI-SDKNA8-MR
12"	UNI-SDKNA12-NR	UNI-SDKNA12-MR
18"	UNI-SDKNA18-NR	UNI-SDKNA18-MR
24"	UNI-SDKNA24-NR	UNI-SDKNA24-MR
30"	UNI-SDKNA30-NR	UNI-SDKNA30-MR



**Installation Notes:** Center to center hole drilling dimension are same as mentioned in column. Diameter of glass hole for installation is 1/2".

Standard hardware supplied can accommodate glass thicknesses 1/4" to 1/2". Please contact us for custom hardware in case glass thickness exceeds 1/2".



No Rosette



Medium Rosette

Dimensions in inches

NOTE: Dimensions subject to change without notice.