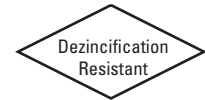


# Class 300 Bronze Globe Valves

Union Bonnet • Integral Seat • Renewable Seat Disc

**300 PSI/20.7 bar saturated steam to 421°F/216°C**  
**600 PSI/41.4 bar non-shock cold working pressure**

CONFORMS TO MSS SP-80



**T-275**  
Threaded

## MATERIAL LIST

PART	SPECIFICATION
1. Handwheel Nut	300 Series Stainless Steel
2. Identification Plate	Aluminum
3. Handwheel	Malleable Iron ASTM A 47
4. Stem	Silicon Bronze ASTM B 371 Alloy C69400/C69430
5. Packing Gland	Bronze ASTM B 62 or ASTM B124 Brass ASTM B16 C36000
6. Packing Nut	Bronze ASTM B 62 or ASTM B124 Alloy C84400 or Brass ASTM Alloy C36000
7. Packing	Aramid Fibers with Graphite
8. Bonnet	Bronze ASTM B 61
9. Union Nut	Bronze ASTM B 61
10. Body	Bronze ASTM B 61
11. Disc Holder Nut	Bronze ASTM B 61
12. Seat Disc	Bronze ASTM B 61 (B)Steam (PTFE) (Y)
13. Seat Disc Nut	Bronze ASTM B 61 w/SS Washer
14. Disc Holder	Bronze ASTM B 62

## DIMENSIONS—WEIGHTS—QUANTITIES

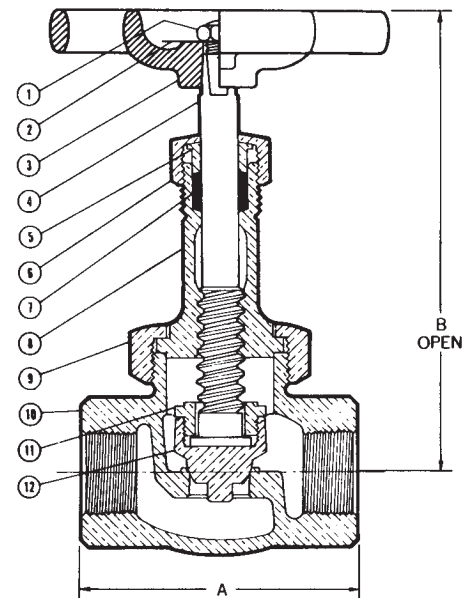
Size	Dimensions				Weight		Master Ctn. Qty.	
	In.	mm.	A	B	Lbs.	Kg.		
1½	6	2.63	67	4.44	113	1.38	0.62	50
1¼	8	2.63	67	4.44	113	1.37	0.62	50
1⅜	10	2.63	67	4.44	113	1.32	0.60	50
½	15	2.69	68	4.88	124	1.82	0.83	30
¾	20	3.38	86	5.75	146	2.84	1.29	20
1	25	4.00	102	7.00	178	4.80	2.18	10
1¼	32	4.63	118	7.63	194	7.03	3.19	10
1½	40	5.00	127	7.69	195	8.34	3.78	6
2	50	6.00	153	9.25	235	13.65	6.19	4
2½	65	6.63	168	10.19	259	17.39	7.89	2
3	80	7.75	197	11.13	283	23.69	10.75	2

† No packing gland, packing only in these sizes.

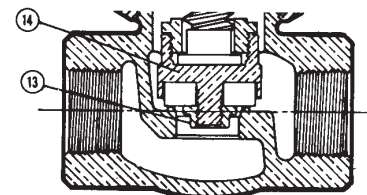
**FREEZING WEATHER PRECAUTION:** Subsequent to testing a piping system, valves should be left in an open position to allow complete drainage.

◆ For detailed Operating Pressure, refer to Pressure Temperature Chart on page 114.

**WARNING:** This product can expose you to chemicals including lead, which is known to the State of California to cause cancer and birth defects or other reproductive harm. For more information go to [www.P65Warnings.ca.gov](http://www.P65Warnings.ca.gov).



**T-275-B**  
NPT x NPT  
Semi-Plug



**T-275-Y**  
NPT x NPT  
Seat Disc

Visit our website for the most current information.