

MAGNETIC BOILER FILTER MAGNETIC BOILER FILTER XL

INSTALLATION & SERVICING INSTRUCTIONS

The Webstone Magnetic Boiler Filter (MBF) efficiently protects a hydronic system from damage caused by debris. The powerful 12,000 gauss magnet captures ferrous debris, and the plastic/metal filter redirects other debris to the base of the body. For maximum system protection, pairing with the Webstone Air Separator is recommended. This unit is not designed for potable water applications.

To simplify future service, Webstone recommends installing isolation valves (included with 7271/7471/7571/7871 series) in close proximity to the unit.

IMPORTANT: Follow all federal/national, state and local codes when installing, testing or performing work on systems. All parts are covered by a lifetime warranty against manufacturing defects provided they are installed by a licensed plumber and operated under normal working conditions. If you have any questions or comments, please contact us at (800) 225-9529 or visit us on the web at www.webstonevalves.com.

WARNING! Contains high-strength magnet. Keep away from electronics and other magnetically sensitive media and devices during installation and service.

INSTALLATION INSTRUCTIONS

Though the MBF may be located anywhere in the hydronic system, installation on the boiler inlet/system return line is recommended for maximum boiler protection. MBF body must be orientated vertically, with drain valve at bottom of unit. System flow must correspond with arrow on the unit.

3/4" & 1" Models: Universal diverter may be oriented in any direction, provided direction of system flow corresponds with arrow on the unit. If reorientation is required, loosen body/diverter nut with included tool, reorient body, and tighten union nut. **DO NOT OVER-TIGHTEN!**

System piping must be aligned to prevent side loading of the union joints.

Before assembly, ensure all union gaskets and o-rings are in good condition, and placed in the locations shown on reverse page.

Verify the correct flow direction and leak check the unit after installation.

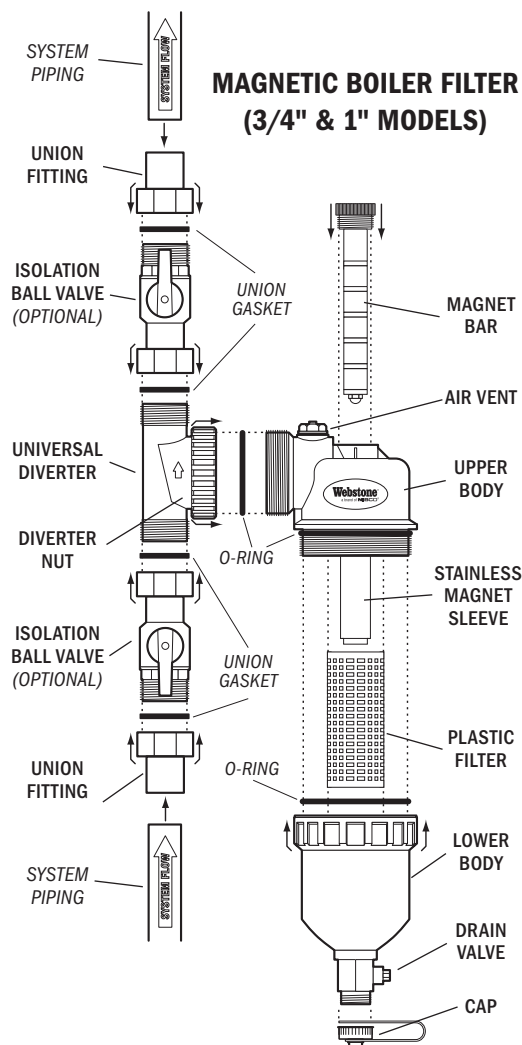
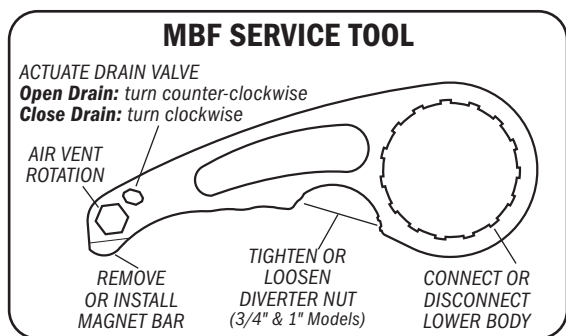
SERVICE INSTRUCTIONS

Accumulated debris should be removed from this unit periodically depending on system conditions. Use the following instructions to service the unit.

CAUTION! System fluid under pressure can be very hazardous.

Before servicing, shut down heating system and isolate the Magnetic Boiler Filter from the system. Water temperatures above 120°F can also be very hazardous. Allow the system to cool to below 120°F before proceeding. Keep body away from unit while open. Failure to follow these instructions may cause serious bodily injury or property damage.

1. Shut down heating system. Close the isolation valves on either side of the unit, if installed.
2. Remove magnet bar from MBF body, releasing captured ferrous debris.
3. Remove drain-valve cap, and attach hose leading to bucket.
4. Use the service tool provided to slowly open the drain valve counter clockwise and allow fluid to fully drain from the unit. The end of the drain cap may also be used to actuate the drain valve. **Caution!** Fluid will be under pressure.
5. Use the service tool to unscrew MBF lower body. Take care not to damage the o-rings. **IMPORTANT:** Diverter (if applicable) and upper body must be held in place during disassembly to prevent damaging the unit or system piping.
6. Remove plastic/metal filter and clear trapped debris. Rinse the filter and lower body with clean water.
7. Install filter into lower MBF body and carefully reassemble to the upper MBF body, ensuring that no damage is caused to the o-rings. **Caution!** Maintain o-ring locations during servicing as the two body o-rings are different diameters. Secure body halves to 10 ft-lbs (3/4" & 1" Models) or 12 ft-lbs (1 1/4" & 1 1/2" Models) of torque. **DO NOT OVER-TIGHTEN!**
8. Reinstall the magnet bar.
9. Use the service tool to return the drain valve to the closed position. Replace cap.
10. To bleed the unit after servicing, loosen air vent screw with screwdriver. Use the service tool to prevent air vent from rotating, if needed. Open the inlet-side isolation valve (if installed) and allow fluid to fill the unit. Once fluid comes out of the vent, tighten vent screw and open the outlet-side isolation valve.
11. Leak check the unit after servicing. Return system to operating condition.



MAGNETIC BOILER FILTER XL (1 1/4" & 1 1/2" MODELS)

