

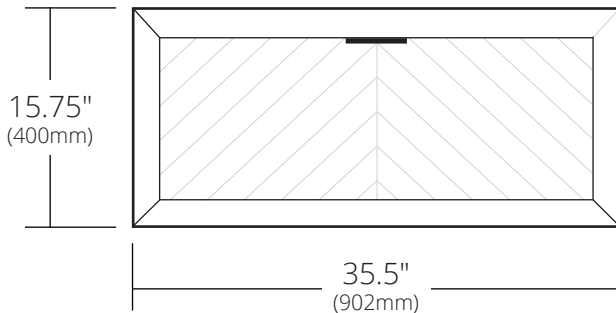
SPECIFICATIONS

**VINTNER'S FLOATING VANITY WITH DRAWER**

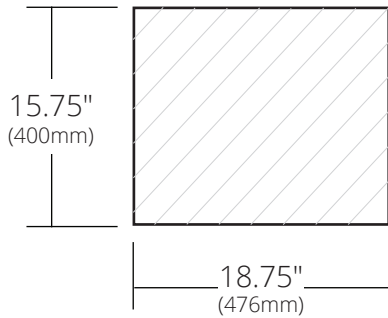
*Vintner's Collection*



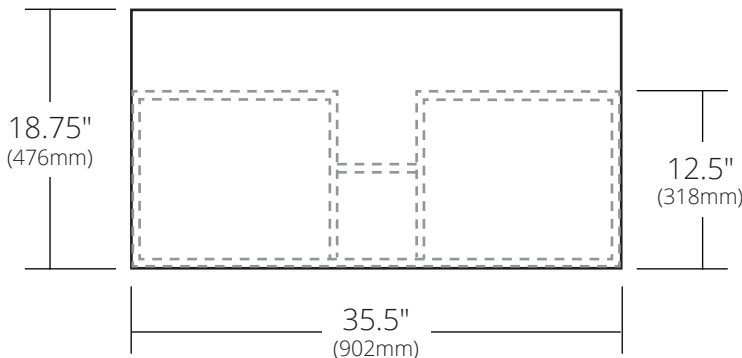
FRONT VIEW



SIDE VIEW



TOP VIEW



- VNW200 Blanc
- VNW201 Chardonnay
- VNW207 Grigio
- VNW208 Noir

**PRODUCT DETAILS**

- 35.5"w x 18.75"d x 15.75"h (902mm x 476mm x 400mm)
- Reclaimed wine-stained oak staves
- Low VOC water-resistant finish
- One full extension, soft-close drawer with Brushed Nickel pull
- Access for plumbing underneath

**INSTALLATION**

- Wall Mount (built-in French cleat included)

**COORDINATING PRODUCTS**

- Vintner's Mirror
- Combine with NativeStone Trough 3619

**IMPORTANT**

Due to the handcrafted nature of this product, it will vary in finish, texture, and other details. Dimensions may vary up to 1/4" (6mm).