

Features

- Solid brass rough-in valve included.
- 10" rain shower head.
- Concealed mixer.
- Thermostatic cartridge.
- Ceramic disc technology.
- 1/2" NPT inlets and outlets (compatible with US plumbing connections)



Installation

- Wall mounted installation.

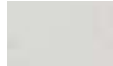
Included Pieces

- 12" shower arm with flange. (Remer 348S30US-CR)
- 10" rain shower head. (Remer 359W-CR)
- Shower mixer with rough-in valve. (Remer QT30US-CR)

Nameek's One-Year Limited Warranty

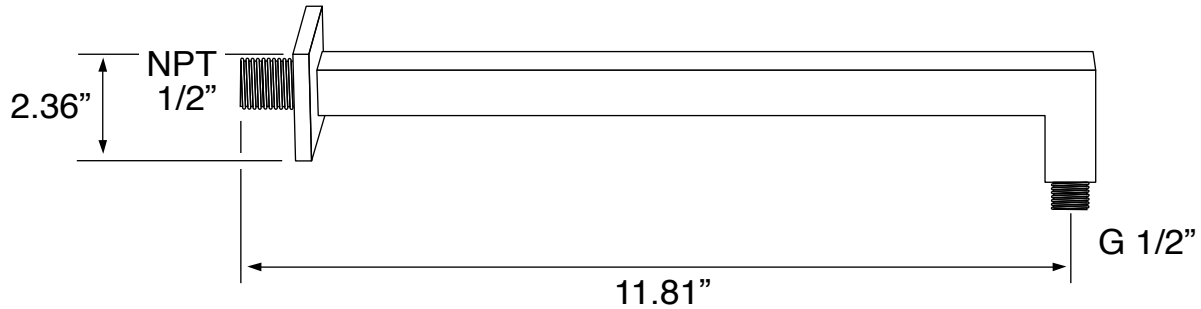
See website for warranty information details.

Color/Finish Details

Color	Code	Description
	CR	Polished Chrome

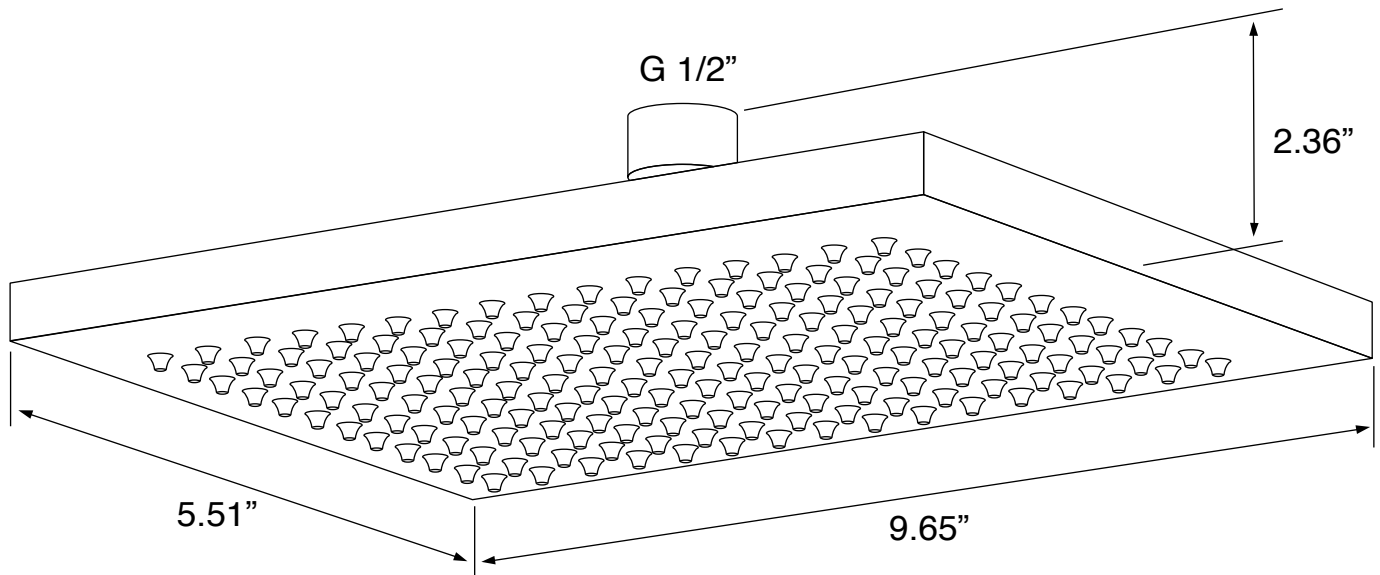
Shower Arm

Remer 348S30US-CR



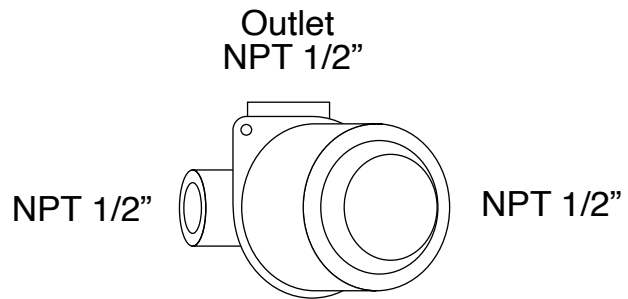
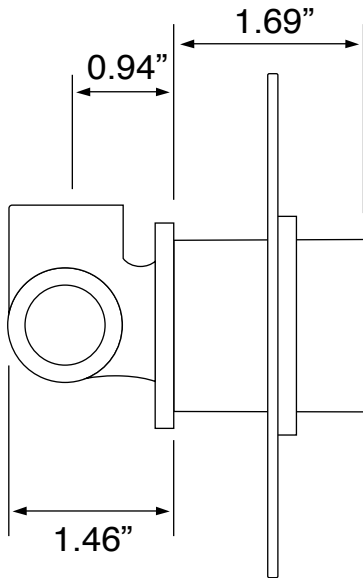
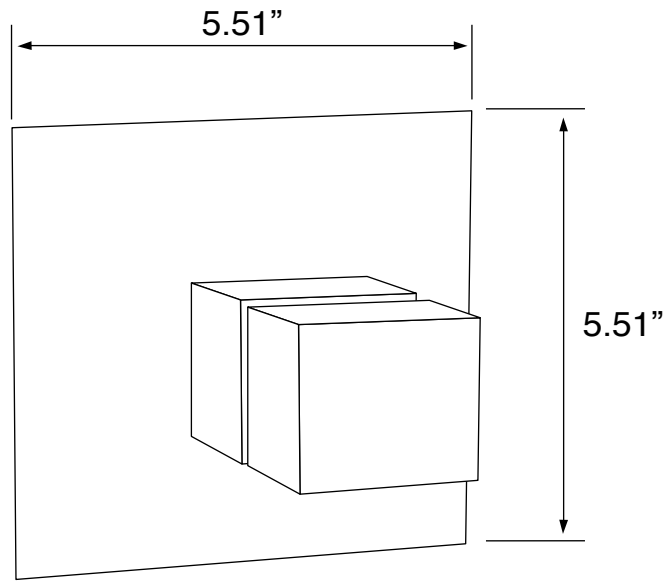
Rain Shower Head

Remer 359W-CR



Shower Valve (Trim + Rough-in Valve)

Remer QT30US-CR



Technical Information

Shower head size:	9.65"
Shower head type:	Rain
Pivoting shower head:	Yes
Shower arm length:	11.81"
Rough-in included:	Yes
Material:	Brass
Cartridge type:	Thermostatic Ceramic disc technology

Notes

This item is recommended to be installed by a licensed plumber or professional only. Please ensure to observe all local and building code requirements. Shut off water supply prior to installation.

Includes mounting hardware.