

Features

- Modern design.
- 3x magnification.
- Folding and extending arm.
- Double face.
- Easy cleaning.
- Designer quality.

Material

- Satin nickel brass mirror.

Installation

- Free standing installation.

Magnifications


- 3x

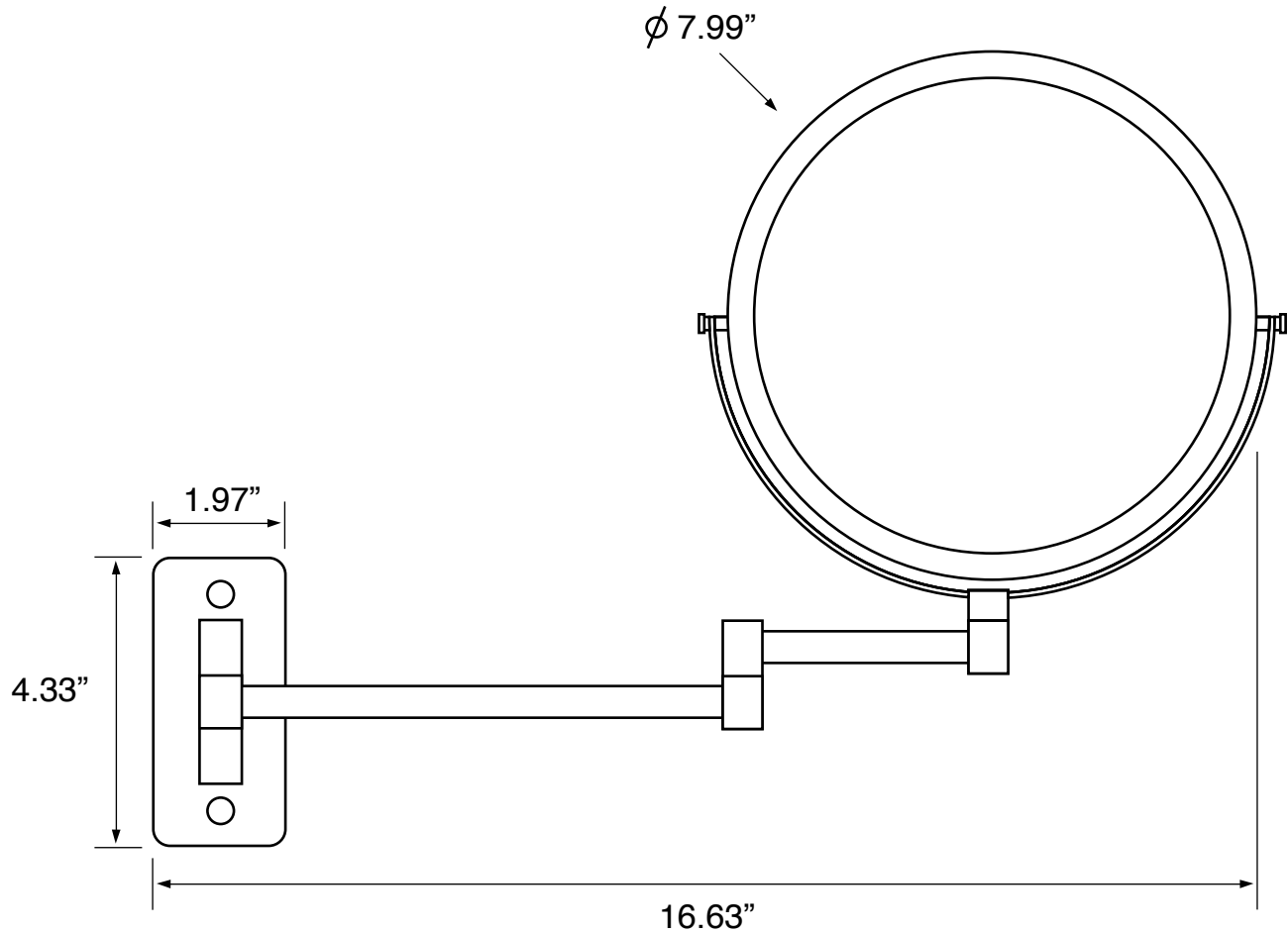


Nameek's One-Year Limited Warranty

See website for warranty information details.

Color/Finish Details

| Color | Code | Description |
|---|------|--------------|
|  | SNI | Satin nickel |



Technical Information

| | |
|-------------------|-------------------------------|
| Face type: | Double (1x/3x) |
| Arm type: | Double, Folding |
| Installation: | Wall mounted |
| Face dimensions: | Height: 7.99" Width: 7.99" |
| Extension length: | 13" |
| Magnifications: | 3x |
| Weight: | 4 lbs |

Notes

Install this product according to the installation instructions.

Includes mounting hardware.